

阿里巴巴购买 IBM 专利清单

检索: [Isann/alibaba and ann/ibm and o/pat](#)

Patentics

专利检索分析报告

据新浪科技，阿里巴巴迄今为止已经购买了 102 项美国专利，包括去年从 IBM 购得的 20 项(实为 22 项)专利。

专利的目的是防止公司的产品遭到他人抄袭，而如今，这种知识产权资产已经成为了一种通货，而且可以用于抵御竞争对手的诉讼。Facebook IPO 前曾经一度只有 12 项专利，Twitter 也只有 9 项，导致他们面临众多知识产权诉讼。

消除潜在诉讼至关重要。Twitter 去年 10 月警告投资者，由于该公司缺乏庞大的专利组合，可能导致其成为诉讼目标。在去年 11 月 IPO 之前，这家社交媒体公司披露它已经成为 IBM 的侵权诉讼目标。Twitter 在 IPO 中成功融资 18.2 亿美元，后于今年 1 月与 IBM 达成和解，购买其 900 项专利。

Facebook 也曾与雅虎经历过类似的斗争，最终购买了 IBM 的 750 项专利，并在 2012 年 7 月和解了这一纠纷——那时距离其 IPO 已经过去 2 个月。

谷歌也在 2004 年 IPO 前几个月向雅虎支付了费用，解决了专利纠纷，后于 2011 年从 IBM 那里购买了 1000 多项专利，防止其 Android 操作系统遭到侵权诉讼。

另外 7 家中国互联网公司今年已经提交了总额 28 亿美元的 IPO 计划，但没有一家公司在美国拥有专利组合。

The screenshot shows a search result for patent 8,380,625 titled "Use of constraints to enforce complex payment policies". The assignor is INTERNATIONAL BUSINESS MACHINES CORPORATION. The assignee is ALIBABA GROUP HOLDING LIMITED. The table below lists other patents from the same search results.

专利号	标题	申请人	发明人	分类	国际分类
8,380,625	Use of constraints to enforce complex payment policies	国际商业机器公司	Hoyos; Carlos Perazolo; Marcelo Srikanth; Viswanath Aichner; Woodward S.	705	G06Q
8,099,446	Digital content searching tool	国际商业机器公司	Carullo; Vittorio Guarda; Roberto	707	
8,019,992	Method for granting user privileges in electronic commerce security domains	国际商业机器公司	Chan; Victor S. Khushia; Darshanand Mirias; Lev Philip; Wesley M.	713	H04L
7,907,275	Method, apparatus and computer program product implementing a chat application proxy and a chat application wrapper in a chat system	国际商业机器公司	Shae; Zon-Yin Pingali; Gopal Sarma Weck; David D.	709	G06F
7,870,130	Techniques for identifying a matching search term in an image of an electronic document	国际商业机器公司	Banerjee; Dwip N. Das; Ranadip Pati; Sandeep R. Venkatsubra; Venkat	707	G06F
7,636,786	Facilitating access to a resource of an on-line service	国际商业机器公司	Binding; Carl Bourges-Waldeg; Daniela Hild; Stefan G.	709	G06F
7,487,472	Method, system and program product for synchronous communication between a public electronic environment and a private electronic environment	国际商业机器公司	Mantena; Ravindra R. Mattoon; Christina L. Satpathy; Bijay Wheeler-Cyran; Julie A.	716	H04L
7,469,250	Method and system for service providers to personalize event notifications to users	国际商业机器公司	Bazot; Philippe Cresp; Jacques Livigni; Fabrice Sert; Richard	707	G06F
7,437,663	Offline dynamic web page generation	国际商业机器公司	Lakhdhir; Mansoor Macias; Mike V. Massand; Jagdish D. McMillan; Melinda Yuki	715	G06F
7,386,474	Method, system and program product for providing an entitled price in an electronic transaction	国际商业机器公司	Mantena; Ravindra R. Mattoon; Christina L. Satpathy; Bijay Wheeler-Cyran; Julie A.	705	G06Q
7,316,783	Single submission button	国际商业机器公司	Bacon; William G.	716	G06F

Use of constraints to enforce complex payment policies

授权号: [US8380625](#)

申请号: 11/966,669

优先权日: 2007/12/28 申请日: 2007/12/28 授权日: 2013/02/19

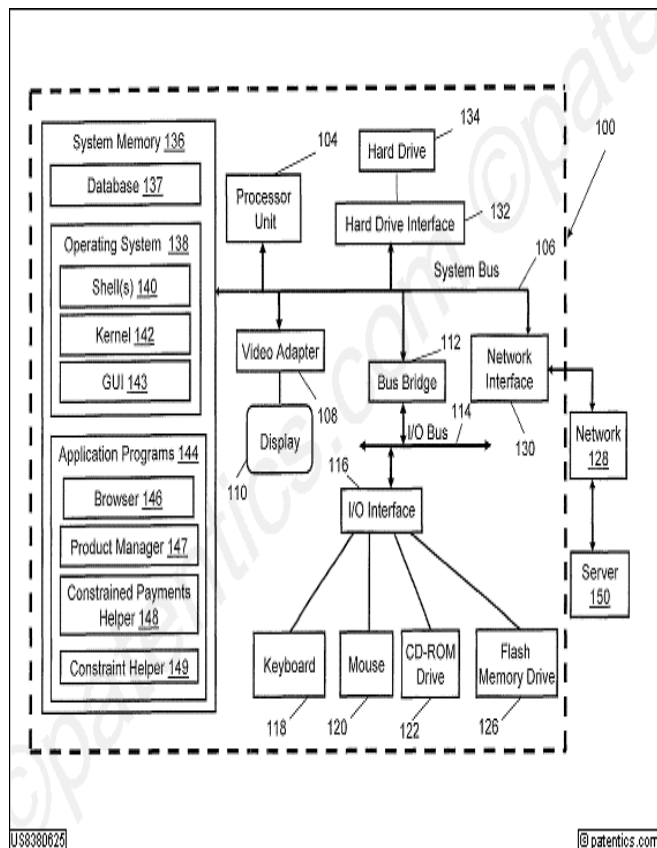
申请人: 国际商业机器公司

专利权人: 阿里巴巴

发明人: Hoyos; Carlos | Perazolo; Marcelo | Srikanth; Viswanath | Aichner; Woodward S.

摘要

A method of using constrained payments to enforce complex payment policies in electronic commerce (e-commerce) systems. An order capture component generates at least a first relationship object that corresponds to a first payment constraint rule. If an order item is placed in a shopping cart, and if the order item is associated with one or more payment constraint rules, and if one or more pre-conditions corresponding to the one or more payment constraint rules are satisfied, then the order capture component implements the one or more payment constraint rules. If one or more post-conditions corresponding to the one or more payment constraint rules are satisfied, then the order capture component submits a purchasing order from the shopping cart that includes the order item, such that the order item is constrained by the one or more payment constraint rules.



主权项 **专利度: 25 特征度: 25**

A method for defining and enforcing payment constraint rules in an electronic commerce (e-commerce) system implemented by at least one processor, the method comprising:
 in response to a determination by said e-commerce system that an order item has been placed in a shopping cart, that said order item has been associated with one or more payment constraint rules, and that one or more pre-conditions corresponding to said one or more payment constraint rules has been satisfied, implementing said one or more payment constraint rules with said e-commerce system, wherein said payment constraints rule is a relationship

object that defines a dependency relationship between a payment method and a particular order item; and

in response to a determination by said e-commerce system that one or more post-conditions corresponding to said one or more payment constraint rules has been satisfied, submitting with said e-commerce system a purchasing order from said shopping cart that includes said order item, wherein said order item is constrained by said one or more payment constraint rules.

申请主权项 专利度: 20 特征度: 15

授权删除

A method for defining and enforcing payment constraint rules in an electronic commerce (e-commerce), ~~the method comprising: generating at least a first relationship object that corresponds to a first payment constraint rule;~~ system implemented by at least one processor, the method comprising:

授权插入

in response to a determination by said e-commerce system that an order item has been placed in a shopping cart, that said order item has been associated with one or more payment constraint rules, and that one or more pre-conditions corresponding to said one or more payment constraint rules has been satisfied, implementing said one or more payment constraint rules with said e-commerce system, wherein said payment constraints rule is a relationship object that defines a dependency relationship between a payment method and a particular order item; and

in response to a determination by said e-commerce system that one or more post-conditions corresponding to said one or more payment constraint rules has been satisfied, submitting with said e-commerce system a purchasing order from said shopping cart that includes said order item, wherein said order item is constrained by said one or more payment constraint rules.

法律描述

ASSIGNMENT OF ASSIGNORS INTEREST

Conveyance: ASSIGNMENT OF ASSIGNORS INTEREST (SEE DOCUMENT FOR DETAILS).

Patent Assignor: INTERNATIONAL BUSINESS MACHINES CORPORATION (date: 20130930)

Correspondent: CPA GLOBAL LIMITED, LIBERATION HOUSE, CASTLE STREET, ST HELIER, JE1 1BL JERSEY

Patent Assignee: ALIBABA GROUP HOLDING LIMITED (address: 26TH FLOOR, TOWER 1, TIMES SQUARE, I MATHESON STREET, CAUSEWAY BAY, HONG KONG)

ASSIGNMENT OF ASSIGNORS INTEREST

Conveyance: ASSIGNMENT OF ASSIGNORS INTEREST (SEE DOCUMENT FOR DETAILS).

Patent Assignor: HOYOS, CARLOS (date: 20071228)

Patent Assignor: PERAZOLO, MARCELO (date: 20071228)

Patent Assignor: SRIKANTH, VISWANATH (date: 20071211)

Patent Assignor: AICHNER, WOODWARD S. (date: 20071228)

Correspondent: DILLON & YUDELL LLP, 8911 NORTH CAPITAL OF TEXAS HWY, SUITE 2110, AUSTIN, TX 78759

Patent Assignee: INTERNATIONAL BUSINESS MACHINES CORPORATION (address: NEW ORCHARD ROAD, ARMONK, NEW YORK, 10504)

引用/自引用/引用公司: 14/2/5

同族: 7

法律状态:

Valid

Digital content searching tool

授权号: [US8099446](#)

申请号: 12/263,607

优先权日: 2007/12/12 申请日: 2008/11/03 授权日: 2012/01/17

申请人: 国际商业机器公司

专利权人: 阿里巴巴

发明人: Carullo; Vittorio | Guarda; Roberto

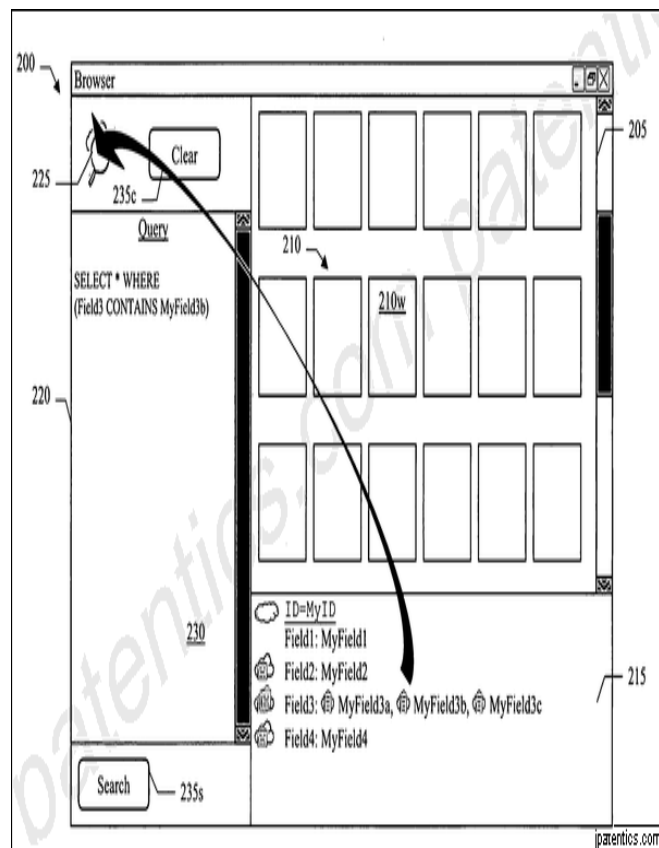
摘要

Embodiments of the invention may include a method for searching digital content in a data processing system. The method may include providing a set of sample digital resources. Each sample digital resource may be associated with metadata describing its content, including fields having associated metadata values. A user may select at least one sample digital resource from the set. One or more metadata values of the sample digital resource may be displayed to the user. The user may then select at least a portion of the metadata values. A digital resource having one or more metadata values substantially matching the selected metadata value of the sample digital resource may then be retrieved.

主权项 **专利度: 13 特征度: 4**

A computer-implemented method for searching digital content in a data processing system, the computer-implemented method comprising:

- displaying, by a computer, a set of sample digital resources, each sample digital resource being associated with metadata describing its content, the metadata including metadata fields having associated metadata values;
- enabling, by the computer, a user to select a sample digital resource from the set;
- displaying, by the computer, at least one metadata value of the selected sample digital resource;
- enabling, by the computer, the user to select the at least one metadata value;
- automatically generating, by the computer, in response to selecting the at least one metadata value, a query for retrieving a digital resource having at least one metadata value substantially matching the selected at least one metadata value of the sample digital resource; and



retrieving, by the computer, the digital resource in accordance with the query.

申请主权项 专利度: 13 特征度: 7

A computer-implemented method for searching digital content in a data processing system, the ~~method comprising: providing~~computer-implemented method comprising: displaying, by a computer, a set of sample digital resources, each sample digital resource being associated with metadata describing its content, the metadata including metadata fields having associated metadata values; enabling, by the computer, a user to select ~~at least one~~ sample digital resource from the set; displaying ~~to,~~ by the ~~us~~computer, at least one metadata value of the ~~at least one~~selected sample digital resource; enabling, by the computer, the user to select the at least ~~a portion of one~~metadata value; automatically generating, by the computer, in response to selecting the at least one metadata value; and query for retrieving a digital resource having at least one metadata value substantially matching the selected at least one metadata value of the sample digital resource; and retrieving, by the computer, the digital resource in accordance with the query.

法律描述

ASSIGNMENT OF ASSIGNORS INTEREST

Conveyance: ASSIGNMENT OF ASSIGNORS INTEREST (SEE DOCUMENT FOR DETAILS).

Patent Assignor: INTERNATIONAL BUSINESS MACHINES CORPORATION (date: 20130930)

Correspondent: CPA GLOBAL LIMITED, LIBERATION HOUSE, CASTLE STREET, ST HELIER, JE1 1BL JERSEY

Patent Assignee: ALIBABA GROUP HOLDING LIMITED (address: 26TH FLOOR, TOWER 1, TIMES SQUARE, I MATHESON STREET, CAUSEWAY BAY, HONG KONG)

ASSIGNMENT OF ASSIGNORS INTEREST

Conveyance: ASSIGNMENT OF ASSIGNORS INTEREST (SEE DOCUMENT FOR DETAILS).

Patent Assignor: CARULLO, VITTORIO (date: 20081028)

Patent Assignor: GUARDA, ROBERTO (date: 20081028)

Correspondent: ALEXIS NELSON, 2984 E. EVERGREEN AVE., SALT LAKE CITY, UT 84109

Patent Assignee: INTERNATIONAL BUSINESS MACHINES CORPORATION (address: NEW ORCHARD ROAD, ARMONK, NEW YORK, 10504)

引用/自引用/引用公司: 10/1/8

同族: 7

法律状态: Valid

Method for granting user privileges in electronic commerce security domains

授权号: [US8019992](#)

申请号: 10/726,766

优先权日: 2003/06/17 申请日: 2003/12/03 授权日: 2011/09/13

申请人: 国际商业机器公司

专利权人: 阿里巴巴

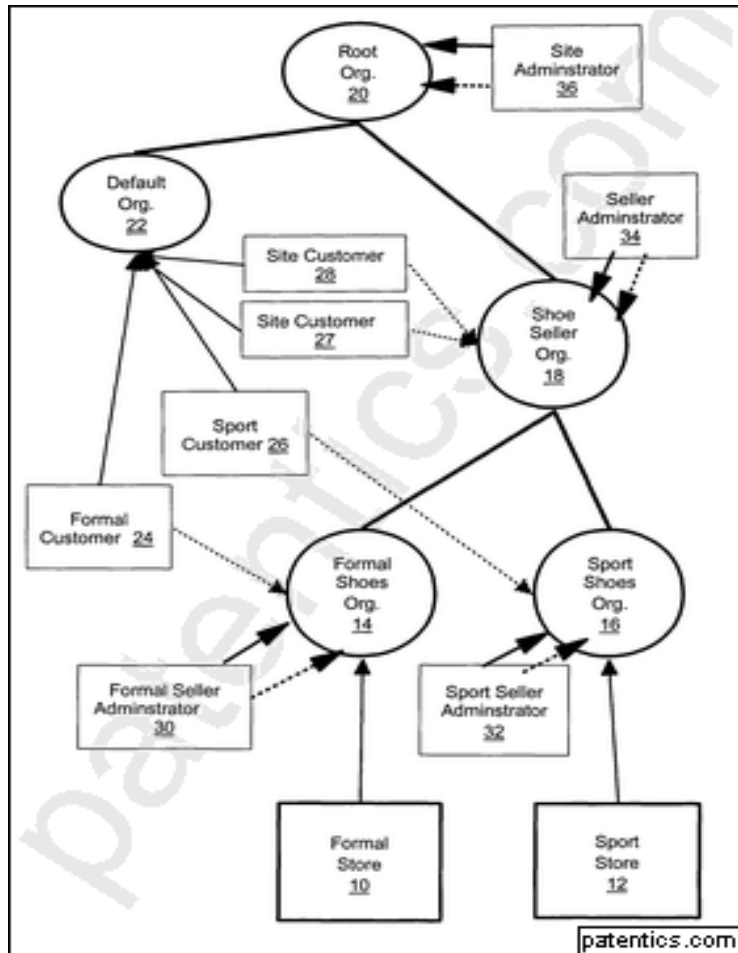
发明人: Chan; Victor S. | Khusial; Darshanand | Mirlas; Lev | Philip; Wesley M.

摘要

An electronic commerce system supports web sites including on-line stores that are accessible by a set of customers and organizations to which stores may belong. Organizations may be defined in accordance with a tree structure. Users accessing a web site are provided with access roles for organizations. The access roles for a user define the portions of the web site for which the user has access privileges. The tree structure of the web site is used to define security domains for users. Users may have access roles of registered customer or administrator. Users without any roles in a security domain are accorded guest privileges within that domain.

主权项 专利度: 4 特征度: 28

A method for providing user access to a portion of a web site implemented by an electronic commerce system, the web site being accessible by one or more users and comprising a set of on-line stores and a set of organizations, each of the said on-line stores being associated with one of the set of organizations, the method comprising the steps of: associating each user with a unique identity in the system; associating a user identity with one of a set of access roles for a security domain, the access role defining access privileges for the user corresponding to the user identity, the security domain



comprising a subset of the set of organizations and the on-line stores associated with the organizations in the subset;

granting or denying access to a user attempting to access a portion of the web site by determining the user identity for the user and determining the access role associated with the user identity for the security domain corresponding to the portion of the web site subject to the access attempt;

in which the set of organizations is a tree structure, the step of associating a user identity with one of a set of access roles further comprises the step of associating the user identity with the access role for a selected one of the set of organizations,

the security domain includes the selected organization and those organizations in the set that are descendants of the selected organization, and

the step of granting or denying access by determining the access role associated with the user identity for the security domain comprises determining the access role for the user identity by traversing the tree structure of organizations commencing at the selected organization and including the ancestor organizations to the selected organization.

申请主权项 专利度: 24 特征度: 17

~~A computer program product for implementing electronic commerce systems, each method for providing user access to a portion of a web site implemented by an~~ electronic commerce system ~~comprising a, the~~ web site being accessible by one or more users and comprising a set of on-line stores and a set of organizations, each of the said on-line stores being associated with one of the set of organizations, ~~the computer program product comprising a computer usable medium having computer readable program code means embodied in said medium, and comprising: computer readable program code means for representing the users, each user being associated with a unique identity in the system; computer readable program code means for~~method comprising the steps of:

associating each user with a unique identity in the system;

associating a user identity with one of a set of access roles for a security domain, the access role defining access privileges for the user corresponding to the user identity, the security domain comprising a subset of the set of organizations and the on-line stores associated with the organizations in the subset;~~and computer readable program code means for~~

granting or denying access to a user attempting to access a portion of the web site by determining the user identity for the user and determining the access role associated with the user identity for the security domain corresponding to the portion of the web site subject to the access attempt;

in which the set of organizations is a tree structure, the step of associating a user identity with one of a set of access roles further comprises the step of associating the user identity with the access role for a selected one of the set of organizations,

the security domain includes the selected organization and those organizations in the set that are descendants of the selected organization, and

the step of granting or denying access by determining the access role associated with the user identity for the security domain comprises determining the access role for the user identity by traversing the tree structure of organizations commencing at the selected organization and including the ancestor organizations to the selected organization.

法律描述

ASSIGNMENT OF ASSIGNORS INTEREST

Conveyance: ASSIGNMENT OF ASSIGNORS INTEREST (SEE DOCUMENT FOR DETAILS).

Patent Assignor: INTERNATIONAL BUSINESS MACHINES CORPORATION (date: 20130930)
 Correspondent: CPA GLOBAL LIMITED, LIBERATION HOUSE, CASTLE STREET, ST HELIER, JE1 1BL JERSEY

Patent Assignee: ALIBABA GROUP HOLDING LIMITED (address: 26TH FLOOR, TOWER 1, TIMES SQUARE, I MATHESON STREET, CAUSEWAY BAY, HONG KONG)

ASSIGNMENT OF ASSIGNORS INTEREST

Conveyance: ASSIGNMENT OF ASSIGNORS INTEREST (SEE DOCUMENT FOR DETAILS).

Patent Assignor: CHAN, VICTOR S. (date: 20031124)

Patent Assignor: KHUSIAL, DARSHANAND (date: 20031124)

Patent Assignor: MIRLAS, LEV (date: 20031124)

Patent Assignor: PHILIP, WESLEY M. (date: 20031124)

Correspondent: IBM CORPORATION, JOHN D. FLYNN, PO BOX 12195, T81/503, RES. TRI. PARK, NC 27709

Patent Assignee: INTERNATIONAL BUSINESS MACHINES CORPORATION (address: NEW ORCHARD ROAD, ARMONK, NEW YORK, 10504)

ASSIGNMENT OF ASSIGNORS INTEREST

Conveyance: ASSIGNMENT OF ASSIGNORS INTEREST (SEE DOCUMENT FOR DETAILS).

Patent Assignor: CHAN, VICTOR S. (date: 20031124)

Patent Assignor: KHUSIAL, DARSHANAND (date: 20031124)

Patent Assignor: MIRIAS, LEV (date: 20031124)

Patent Assignor: PHILIP, WESLEY M. (date: 20031124)

Correspondent: IBM CORPORATION, JOHN D. FLYNN, PO BOX 12195, T81/503, RES. TRI. PARK, NC 27709

Patent Assignee: INTERNATIONAL BUSINESS MACHINES CORPORATION (address: NEW ORCHARD ROAD, ARMONK, NEW YORK, 10504)

ASSIGNMENT OF ASSIGNORS INTEREST

Conveyance: ASSIGNMENT OF ASSIGNORS INTEREST (SEE DOCUMENT FOR DETAILS).

Patent Assignor: CHAN, VICTOR S. (date: 20031124)

Patent Assignor: KHUSIAL, DARSHANAND (date: 20031124)

Patent Assignor: MIRIAS, LEV (date: 20031124)

Patent Assignor: PHILIP, WESLEY M. (date: 20031124)

Correspondent: IBM CORPORATION, JOHN D. FLYNN, PO BOX 12195, T81/503, RES. TRI. PARK, NC 27709

Patent Assignee: INTERNATIONAL BUSINESS MACHINES (address: NEW ORCHARD ROAD, ARMONK, NEW YORK, 10504)

引用/自引用/引用公司: 11/3/6

被引用/被自引用/被引用公司: 1/0/1

同族: 2

法律状态: Valid

Method, apparatus and computer program product implementing a chat application proxy and a chat application wrapper in a chat system

授权号: [US7987275](#)

申请号: 11/856,859

优先权日: 2007/09/18 申请日: 2007/09/18 授权日: 2011/07/26

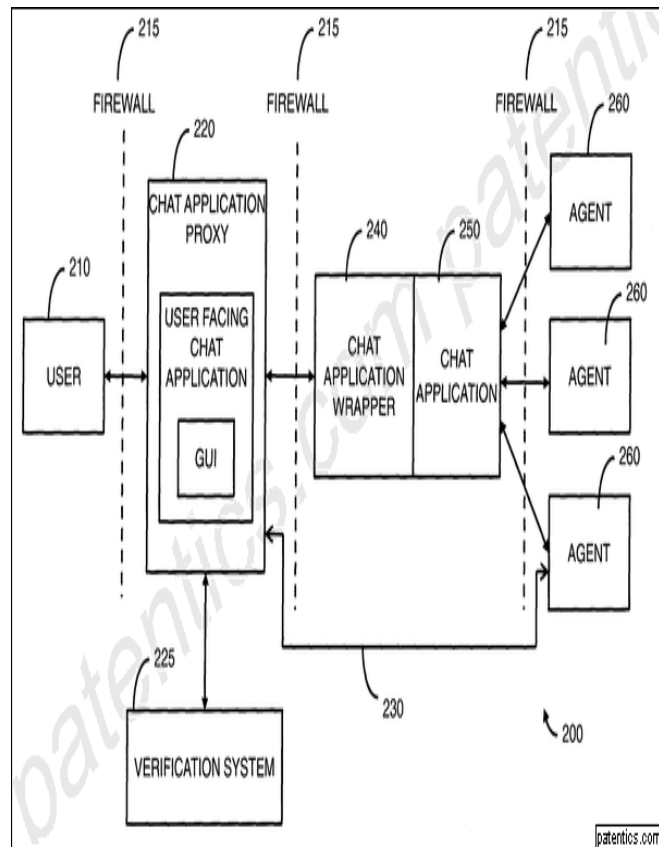
申请人: 国际商业机器公司

专利权人: 阿里巴巴

发明人: Shae; Zon-Yin | Pingali; Gopal Sarma | Weck; David D.

摘要

Methods, apparatus and computer program products implement a chat proxy component and a chat wrapper component. The chat proxy component controls interactions with a chat application by external users. The chat proxy component receives chat requests from external users and initiates a chat session only if a user is validated as a valid user. User validation may be performed by a chat payment application that validates a user only if payment is received for chat services, or by an external user validation system that validates users as, for example, employees authorized to use the chat application. Once a chat session is established, chat operations are managed on a session-specific basis. The chat wrapper component manages communication between the chat proxy component and the chat application. The chat wrapper component also permits the user-facing chat application to be situated on a remote computer.



主权项 专利度: 18 特征度: 21

A system comprising:

at least one computer-readable memory medium tangibly embodying a computer program; and
at least one digital processing apparatus which in response to execution of the computer program is configured to implement at least the following:

a chat application proxy component configured to control access by users to a chat application providing access to help desk services using a plurality of agents, the chat application proxy

component configured to implement, as part of the chat application proxy component, a user-facing chat application that provides a graphical user interface to the users, wherein the users interact with the user-facing chat application and the plurality of agents interact with the chat application, the chat application proxy component further configured to route, based on a ticket identification, a chat request from a given user for a new chat session to a selected one of the agents if no previously existing chat session existed between the given user and the selected agent and to reestablish, based on the ticket identification, a previously existing chat session between the given user and the selected agent by routing the request for the new chat session to the selected agent, wherein the ticket identification corresponds to a ticket previously created for help desk services and configured to store at least a chat transcript between the given user and the selected agent; and

a chat application wrapper component configured to manage communication between the chat application proxy component and the chat application, wherein the chat application is external to both the chat application proxy component and the chat application wrapper component, and wherein the chat application wrapper component manages communication at least by maintaining a mapping between a session identification used by the chat application proxy component and chat application parameters and by using the session identification to communicate with the chat application,

wherein the chat application proxy component is further configured to implement a routing path through the chat application wrapper component and the chat application, to route chat communications between users and agents through the routing path, to implement a media path outside the routing path and between the chat application proxy component and at least one of the plurality of agents, to route multimedia over the media path and between a user and the at least one chat agent.

申请主权项 专利度: 22 特征度: 5

A system comprising: ~~a chat application proxy component configured to control access to an external chat application~~

at least one computer-readable memory medium tangibly embodying a computer program; and at least one digital processing apparatus which in response to execution of the computer program is configured to implement at least the following:

a chat application proxy component configured to control access by users to a chat application providing access to help desk services using a plurality of agents, the chat application proxy component configured to implement, as part of the chat application proxy component, a user-facing chat application that provides a graphical user interface to the users, wherein the users interact with the user-facing chat application and the plurality of agents interact with the chat application, the chat application proxy component further configured to route, based on a ticket identification, a chat request from a given user for a new chat session to a selected one of the agents if no previously existing chat session existed between the given user and the selected agent and to reestablish, based on the ticket identification, a previously existing chat session between the given user and the selected agent by routing the request for the new chat session to the selected agent, wherein the ticket identification corresponds to a ticket previously created for help desk services and configured to store at least a chat transcript between the given user and the selected agent; and

a chat application wrapper component configured to manage communication between the chat application proxy component and the ~~external~~ chat application, wherein the chat application is external to both the chat application proxy component and the chat application wrapper component, and wherein the chat application wrapper component manages communication at

least by maintaining a mapping between a session identification used by the chat application proxy component and chat application parameters and by using the session identification to communicate with the chat application,

wherein the chat application proxy component is further configured to implement a routing path through the chat application wrapper component and the chat application, to route chat communications between users and agents through the routing path, to implement a media path outside the routing path and between the chat application proxy component and at least one of the plurality of agents, to route multimedia over the media path and between a user and the at least one chat agent.

法律描述

ASSIGNMENT OF ASSIGNORS INTEREST

Conveyance: ASSIGNMENT OF ASSIGNORS INTEREST (SEE DOCUMENT FOR DETAILS).

Patent Assignor: INTERNATIONAL BUSINESS MACHINES CORPORATION (date: 20130930)

Correspondent: CPA GLOBAL LIMITED, LIBERATION HOUSE, CASTLE STREET, ST HELIER, JE1 1BL JERSEY

Patent Assignee: ALIBABA GROUP HOLDING LIMITED (address: 26TH FLOOR, TOWER 1, TIMES SQUARE, I MATHESON STREET, CAUSEWAY BAY, HONG KONG)

ASSIGNMENT OF ASSIGNORS INTEREST

Conveyance: ASSIGNMENT OF ASSIGNORS INTEREST (SEE DOCUMENT FOR DETAILS).

Patent Assignor: SHAE, ZON-YIN (date: 20070917)

Patent Assignor: PINGALI, GOPAL (date: 20070918)

Patent Assignor: WECK, DAVID D. (date: 20070918)

Correspondent: DAVID M. O'NEILL, ESQ., HARRINGTON & SMITH, LLP, 4 RESEARCH DRIVE, SHELTON, CT 06484-6212

Patent Assignee: INTERNATIONAL BUSINESS MACHINES CORPORATION (address: NEW ORCHARD ROAD, ARMONK, NEW YORK, 10504)

引用/自引用/引用公司: 14/0/9

被引用/被自引用/被引用公司: 2/0/2

同族: 3

法律状态: Valid

Techniques for identifying a matching search term in an image of an electronic document

授权号: [US7870130](#)

申请号: 11/867,722

优先权日: 2007/10/05 申请日: 2007/10/05 授权日: 2011/01/11

申请人: 国际商业机器公司

专利权人: 阿里巴巴

发明人: Banerjee; Dwip N. | Das; Ranadip | Patil; Sandeep R. | Venkatsubra; Venkat

摘要

A technique for facilitating identification of a matching search term in one or more images includes selecting at least a portion of an image and creating search enriched metadata for a document that includes the image. The search enriched metadata includes a text portion that provides one or more search terms that are associated with the selected portion of the image and a location portion that provides a location of the selected portion of the image.

主权项 **专利度: 18 特征度: 13**

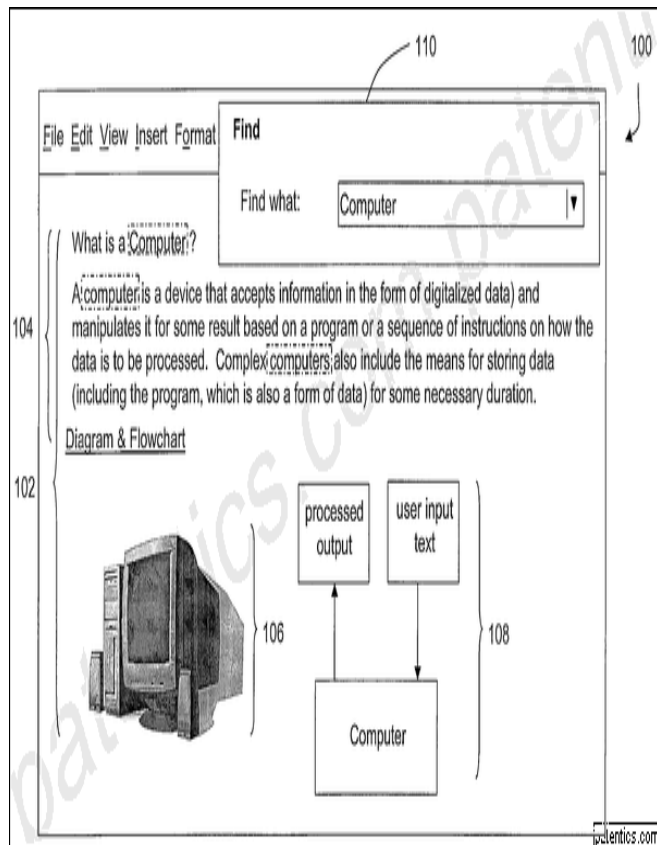
A method of facilitating identification of a matching search term in one or more images within a document, comprising:

- displaying a document on a display;
- selecting at least a portion of an image that is included within the document;
- receiving, via an input device, location coordinates for the selected portion of the image, wherein the location coordinates provide a location portion that identifies a location of the selected portion of the image within the document; and

creating search enriched metadata for the document, wherein the search enriched metadata includes a text portion that provides one or more search terms that are associated with the selected portion of the image and the location portion.

creating search enriched metadata for the document, wherein the search enriched metadata includes a text portion that provides one or more search terms that are associated with the selected portion of the image and the location portion.

申请主权项 **专利度: 20 特征度: 8**



A method of facilitating identification of a matching search term in one or more images, ~~comprising: selecting at least a portion of an image; and creating search enriched metadata for a document that includes the image~~ within a document, comprising:
displaying a document on a display;
selecting at least a portion of an image that is included within the document;
receiving, via an input device, location coordinates for the selected portion of the image,
wherein the location coordinates provide a location portion that identifies a location of the
selected portion of the image within the document; and
creating search enriched metadata for the document, wherein the search enriched metadata includes a text portion that provides one or more search terms that are associated with the selected portion of the image and ~~a location portion that provides a location of the selected portion of the image~~ the location portion.

法律描述

ASSIGNMENT OF ASSIGNORS INTEREST

Conveyance: ASSIGNMENT OF ASSIGNORS INTEREST (SEE DOCUMENT FOR DETAILS).

Patent Assignor: INTERNATIONAL BUSINESS MACHINES CORPORATION (date: 20130930)

Correspondent: CPA GLOBAL LIMITED, LIBERATION HOUSE, CASTLE STREET, ST HELIER, JE1 1BL JERSEY

Patent Assignee: ALIBABA GROUP HOLDING LIMITED (address: 26TH FLOOR, TOWER 1, TIMES SQUARE, I MATHESON STREET, CAUSEWAY BAY, HONG KONG)

ASSIGNMENT OF ASSIGNORS INTEREST

Conveyance: ASSIGNMENT OF ASSIGNORS INTEREST (SEE DOCUMENT FOR DETAILS).

Patent Assignor: BANERJEE, DWIP N (date: 20070917)

Patent Assignor: DAS, RANADIP (date: 20071003)

Patent Assignor: PATIL, SANDEEP R (date: 20071004)

Patent Assignor: VENKATSUBRA, VENKAT (date: 20070917)

Correspondent: LIBBY Z HANDELSMAN, 11400 BURNET ROAD, IBM-INTELLECTUAL PROPERTY LAW, AUSTIN, TX 78758-3493

Patent Assignee: INTERNATIONAL BUSINESS MACHINES CORPORATION (address: NEW ORCHARD ROAD, ARMONK, NEW YORK, 10504)

引用/自引用/引用公司: 8/2/6

同族: 1

法律状态: Valid

Facilitating access to a resource of an on-line service

授权号: [US7636786](#)

申请号: 10/465,114

优先权日: 2003/06/19 申请日: 2003/06/19 授权日: 2009/12/22

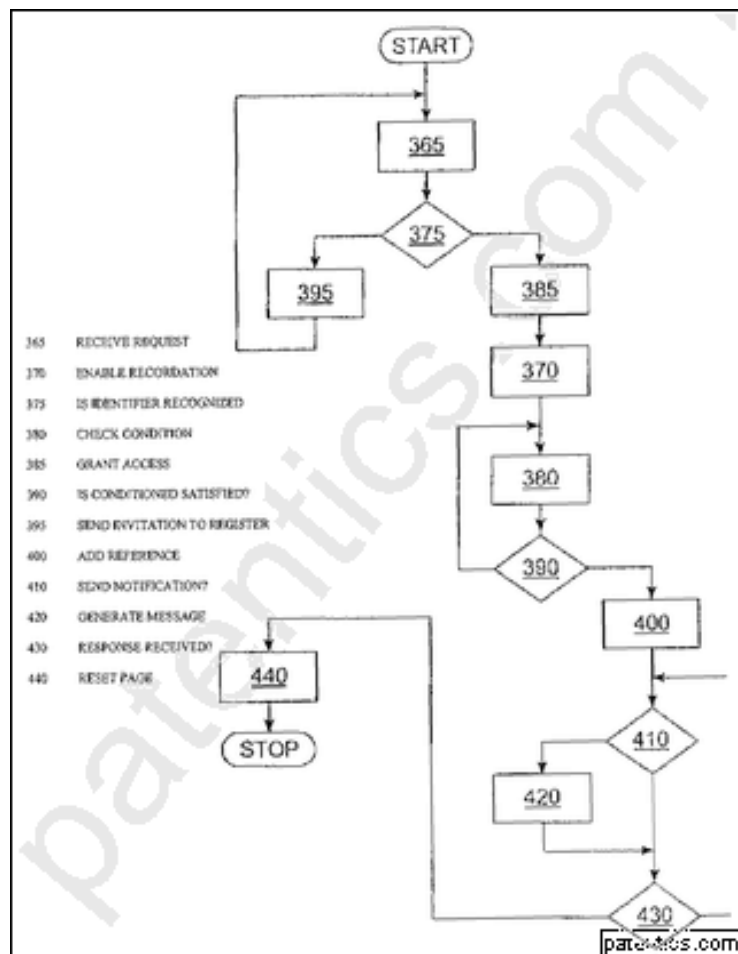
申请人: 国际商业机器公司

专利权人: 阿里巴巴

发明人: Binding; Carl|Bourges-Waldegg; Daniela|Hild; Stefan G.

摘要

Methods, systems and apparatus for facilitating access by a user to a resource of an on-line service via a data communications network, the resource being accessible via an entry page of the service. A method includes checking whether a user condition, prestored in the network, is satisfied, the user condition being associated with the user and relating to the resource. If the condition is not satisfied, the entry page is sent to the user via the network. If the condition is satisfied, the entry page is modified by adding an indication relating to the resource. The modified entry page is then sent to the user advantageously, the method also includes transmitting to the user a notification message in response to, and indicative of, the condition being satisfied.



主权项

专利度: 17 特征度: 11

A method comprising: receiving a request for access to a web portal from a user over a communications network; determining whether the user is registered for an on-line service providing said user with the web portal through which the user registers with the on-line service via the data communications network and records preferences related to a resource offered by said on-line service through a web browser on the user's device, said web portal coupled with a condition store; inviting the user to register for access to the on-line service if the user is not

registered; granting the user access to the web portal if the user is registered; receiving from the user at least one condition associated with the user and related to the resource offered by the on-line service; receiving from the user a personal preference for issuance of notifications that the at least one condition was met; storing the at least one condition pertaining to the preferences in the condition store; responsive to the storing, step, periodically checking whether the at least one condition is satisfied, the at least one condition being implemented in a computer program stored on a server computer system within the data communication network, wherein periodically checking further comprises: checking whether any one of a plurality of user conditions, prestored in the network, is satisfied, each of the conditions being associated with a different resource accessible via the entry page of the on-line service; and if one or more of the conditions are satisfied, modifying the entry page by adding an indication relating to each corresponding resource and sending the modified entry page to the user; if the at least one condition is satisfied, modifying the user's entry page to the on-line service by adding a reference to the resource, said reference comprising an indication that enables the user to navigate directly to the resource associated with the satisfied condition, such that the user is able to bypass intervening web pages between the user's entry page and the page where the resource is located; determining, according to the user's personal preference, whether the user is due to be sent a notification that the condition has been satisfied; if it is determined that the user is due to be sent the notification, generating the notification to the user; transmitting the modified entry page to the user upon receipt of the user's access request to the on-line service; and resetting the modified entry page by removing the reference to the resource.

申请主权项 专利度: 21 特征度: 15

A method comprising: ~~facilitating access by a user to a resource of an~~ receiving a request for access to a web portal from a user over a communications network; determining whether the user is registered for an on-line service providing said user with the web portal through which the user registers with the on-line service; ~~via a~~ the data communications network; ~~the resource being accessible via an entry page of the service, the method comprising: checking whether and records preferences related to a resource offered by said on-line service through a web browser on the user's device, said web portal coupled with a condition store; inviting the user to register for access to the on-line service if the user is not registered; granting the user access to the web portal if the user is registered; receiving from the user at least one condition associated with the user and related to the resource offered by the on-line service; receiving from the user a personal preference for issuance of notifications that the at least one condition was met; storing the at least one condition pertaining to the preferences in the condition store; responsive to the storing, step, periodically checking whether the at least one condition is satisfied, the at least one condition being implemented in a computer program stored on a server computer system within the data communication network, wherein periodically checking further comprises: checking whether any one of a plurality of user conditions, prestored in the network, is satisfied, the user ~~each of the conditions~~ being associated with ~~the user and relating to the resource; identifying the user from a service access request submitted by the user over the network; if the condition is not satisfied, sa~~ a different resource accessible via the entry page of the on-line service; and if one or more of the conditions are satisfied, modifying the entry page by adding an indication relating to each corresponding resource and sending the modified entry page to the user; if the at least one condition is satisfied, modifying the user's entry page to the on-line service by adding a reference to the resource, said reference comprising an indication that enables the user to navigate directly to the resource associated with the satisfied condition, such that the user is able to bypass intervening ~~the entry page to the user via the network; and,~~~~

~~if the condition is satisfied, modifying the entry page by adding an indication relating to the resource~~
web pages between the user's entry page and the page where the resource is located;
determining, according to the user's personal preference, whether the user is due to be sent a notification that the condition has been satisfied; if it is determined that the user is due to be sent the notification, generating the notification to the user; transmitting the modified entry page to the user upon receipt of the user's access request to the on-line service; and
~~send~~resetting the modified entry page to the user by removing the reference to the resource.

法律描述

ASSIGNMENT OF ASSIGNORS INTEREST

Conveyance: ASSIGNMENT OF ASSIGNORS INTEREST (SEE DOCUMENT FOR DETAILS).

Patent Assignor: INTERNATIONAL BUSINESS MACHINES CORPORATION (date: 20130930)

Correspondent: CPA GLOBAL LIMITED, LIBERATION HOUSE, CASTLE STREET, ST HELIER, JE1 1BL JERSEY

Patent Assignee: ALIBABA GROUP HOLDING LIMITED (address: 26TH FLOOR, TOWER 1, TIMES SQUARE, 1 MATHESON STREET, CAUSEWAY BAY, HONG KONG)

ASSIGNMENT OF ASSIGNORS INTEREST

Conveyance: ASSIGNMENT OF ASSIGNORS INTEREST (SEE DOCUMENT FOR DETAILS).

Patent Assignor: BINDING, CARL (date: 20030703)

Patent Assignor: BOURGES-WALDEGG, DANIELA (date: 20030718)

Patent Assignor: HILD, STEFAN G. (date: 20030806)

Correspondent: LOUIS P. HERZBERG, IBM CORPORATION, INTELLECTUAL PROPERTY LAW, P.O. BOX 218, YORKTOWN HEIGHTS, NY 10598

Patent Assignee: INTERNATIONAL BUSINESS MACHINES CORPORATION (address: NEW ORCHARD ROAD, ARMONK, NEW YORK, 10504)

引用/自引用/引用公司: 10/0/6

同族: 1

法律状态: Valid

application to the back end ERP application, wherein the causing comprises causing the ERP application to produce the reply, and wherein the automatically returning comprises automatically returning the reply from the ERP application to the front end application for providing to the user; and wherein the automatically routing comprises routing the communication through messaging middleware, and wherein the causing comprises causing by the messaging middleware the ERP application to produce the reply while the front end application and the messaging middleware wait therefor.

申请主权项 专利度: 84 特征度: 6

A method for synchronous communication between a public electronic environment and a private electronic environment, comprising: automatically routing a communication from a user in the public electronic environment to the private electronic environment; ~~obtaining a reply to the communication to be produced within the private electronic environment in real time; and automatically returning a~~ the reply ~~within the private electronic environment in response to the communication while the user waits therefor; and automatically returning the reply~~ from the private electronic environment to the public electronic environment; wherein the public electronic environment comprises a front end application, wherein the private electronic environment comprises a back end Enterprise Resource Planning (ERP) application, wherein the automatically routing comprises automatically routing the communication from the front end application to the back end ERP application, wherein the causing comprises causing the ERP application to produce the reply, and wherein the automatically returning comprises automatically returning the reply from the ERP application to the front end application for providing to the user; and wherein the automatically routing comprises routing the communication through messaging middleware, and wherein the causing comprises causing by the messaging middleware the ERP application to produce the reply while the front end application and the messaging middleware wait therefor.

法律描述

ASSIGNMENT OF ASSIGNORS INTEREST

Conveyance: ASSIGNMENT OF ASSIGNORS INTEREST (SEE DOCUMENT FOR DETAILS).

Patent Assignor: INTERNATIONAL BUSINESS MACHINES CORPORATION (date: 20130930)

Correspondent: CPA GLOBAL LIMITED, LIBERATION HOUSE, CASTLE STREET, ST HELIER, JE1 1BL JERSEY

Patent Assignee: ALIBABA GROUP HOLDING LIMITED (address: 26TH FLOOR, TOWER 1, TIMES SQUARE, 1 MATHESON STREET, CAUSEWAY BAY, HONG KONG)

ASSIGNMENT OF ASSIGNORS INTEREST

Conveyance: ASSIGNMENT OF ASSIGNORS INTEREST (SEE DOCUMENT FOR DETAILS).

Patent Assignor: MANTENA, RAVINDRA R. (date: 20010323)

Patent Assignor: MATTOON, CHRISTINA L. (date: 20010330)

Patent Assignor: SATPATHY, BIJAY (date: 20010324)

Patent Assignor: WHEELER-CYRAN, JULIE E. (date: 20010330)

Correspondent: HESLIN, ROTHENBERG, FARLEY & MESITI, PC, WAYNE F. REINKE, ESQ., 5 COLUMBIA CIRCLE, ALBANY, NY 12203

Patent Assignee: INTERNATIONAL BUSINESS MACHINES CORPORATION (address: NEW ORCHARD ROAD, ARMONK, NEW YORK, 10504)

引用/自引用/引用公司:

7/4/3

被引用/被自引用/被引用公司:	3/3/1
同族:	1
法律状态:	Valid

Method and system for service providers to personalize event notifications to users

授权号: [US7469250](#)

申请号: 11/006,117

优先权日: 2003/12/10 申请日: 2004/12/07 授权日: 2008/12/23

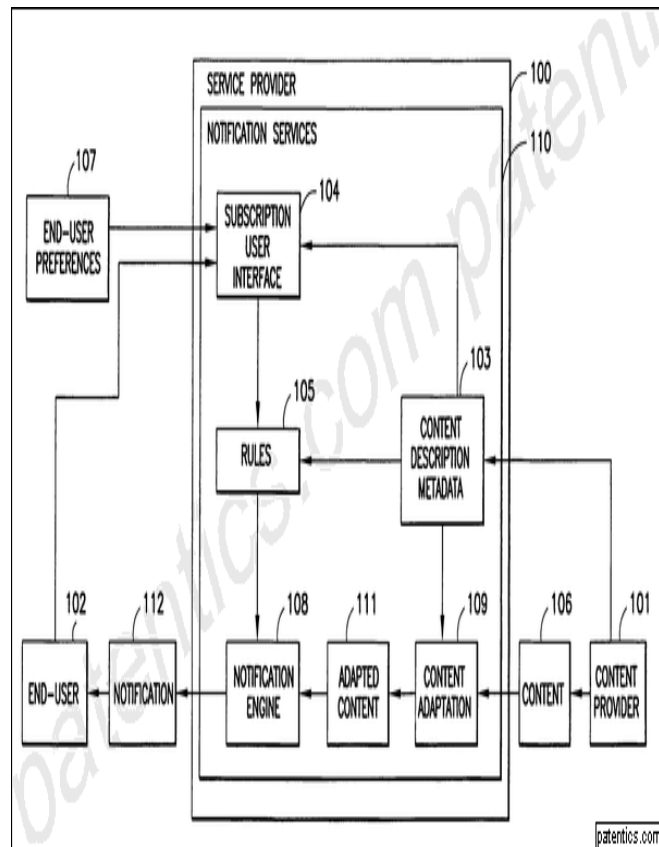
申请人: 国际商业机器公司

专利权人: 阿里巴巴

发明人: Bazot; Philippe | Cresp; Jacques | Livigni; Fabrice | Sert; Richard

摘要

Personalized notifications are delivered to end users. A service provider receives, a content description from a content provider. The content description defines keywords, values attached to each keyword and a localization of values attached to each keyword in a piece of content. Each time a subscription request for a notification service related to the received content description is received from an end user, keywords values and the delivery channels selected by the user are recorded. A notification rule associated with the end user based on the selected keyword values and the localization of the selected keyword values in the content is generated. Each time a piece of content related to the content description is received from the content provider, the received piece of content is adapted to comply with the generated rules. For each rule previously generated, the values contained in the adapted piece of content are checked against the values as defined in the rule for each localization.



主权项 专利度: 14 特征度: 24

A method for delivering personalized notifications to at least one user for at least one delivery channel selected by said user, said method comprising the steps of: receiving a content description from a content provider, said content description defining, for a piece of content received from said content provider, at least one keyword, said at least one keyword having at least one attached value, and a localization of said at least one attached value in said piece of

content, wherein said content description comprises hierarchical relationships between each corresponding said keyword; recording said at least one attached value and said at least one delivery channel selected by said user each time a subscription request for a notification service related to said content description, is received from said user; generating a notification rule associated with said user based on said selected at least one attached value and said localization; adapting said piece of content related to said content description to comply with said notification rule each time said piece of content is received from said content provider; and checking for each localization, said adapted piece of content against said notification rule each time said piece of content is received from said content provider and for each rule previously generated; and delivering personalized notifications to said user.

申请主权项 专利度: 15 特征度: 16

A method for delivering personalized notifications to at least one user for at least one delivery channel selected by said user, said method comprising the steps of: receiving a content description from a content provider, said content description defining, for a piece of content received from said content provider, at least one keyword, said at least one keyword having at least one attached value, and a localization of said at least one attached value in said piece of content, wherein said content description comprises hierarchical relationships between each corresponding said keyword; recording said at least one attached value and said at least one delivery channel selected by said user each time a subscription request for a notification service related to said content description, is received from said user; generating a notification rule associated with said user based on said selected at least one attached value and said localization; adapting said piece of content related to said content description to comply with said notification rule each time said piece of content is received from said content provider; and checking for each localization, said adapted piece of content against said notification rule each time said piece of content is received from said content provider and for each rule previously generated; and delivering personalized notifications to said user.

法律描述

ASSIGNMENT OF ASSIGNORS INTEREST

Conveyance: ASSIGNMENT OF ASSIGNORS INTEREST (SEE DOCUMENT FOR DETAILS).

Patent Assignor: INTERNATIONAL BUSINESS MACHINES CORPORATION (date: 20130930)

Correspondent: CPA GLOBAL LIMITED, LIBERATION HOUSE, CASTLE STREET, ST HELIER, JE1 1BL JERSEY

Patent Assignee: ALIBABA GROUP HOLDING LIMITED (address: 26TH FLOOR, TOWER 1, TIMES SQUARE, I MATHESON STREET, CAUSEWAY BAY, HONG KONG)

ASSIGNMENT OF ASSIGNORS INTEREST

Conveyance: ASSIGNMENT OF ASSIGNORS INTEREST (SEE DOCUMENT FOR DETAILS).

Patent Assignor: BAZOT, PHILIPPE (date: 20041119)

Patent Assignor: CRESP, JACQUES (date: 20041119)

Patent Assignor: LIVIGNI, FABRICE (date: 20041119)

Patent Assignor: SERT, RICHARD (date: 20041119)

Correspondent: IBM CORPORATION, JOHN R. PIVNICHNY, IP LAW DEPT. IQ0A/BLAG. 40-3, 1701 NORTH STREET, ENDICOTT, NY 13760

Patent Assignee: INTERNATIONAL BUSINESS MACHINES CORPORATION (address: NEW ORCHARD ROAD, ARMONK, NEW YORK, 10504)

引用/自引用/引用公司:

7/1/6

被引用/被自引用/被引用公司:	1/0/1
同族:	3
法律状态:	Valid

Offline dynamic web page generation

授权号: [US7437663](#)

申请号: 10/046,999

优先权日: 2002/01/16 申请日: 2002/01/16 授权日: 2008/10/14

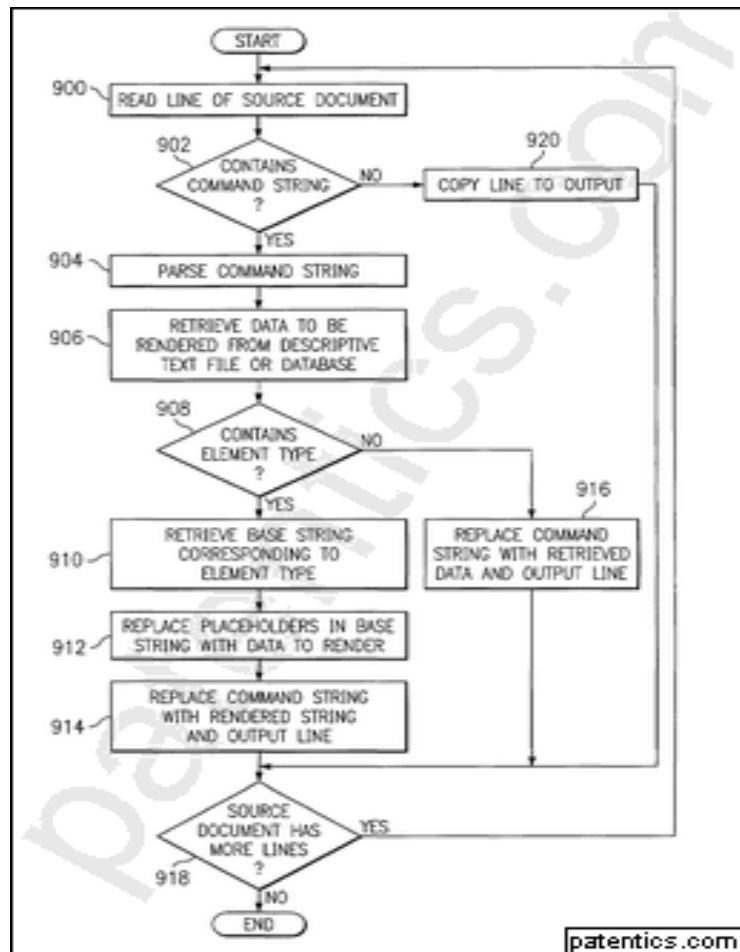
申请人: 国际商业机器公司

专利权人: 阿里巴巴

发明人: Lakhdir; Mansoor | Macias; Mike V. | Massand; Jagdish D. | McMillan; Melinda Yuki

摘要

A method, computer program product, electronic document product, and data processing system for rendering web pages containing dynamic data is disclosed. A rendering program executes periodically to render web documents from source documents, base strings for various visual features, database information, and descriptive text. Special command strings located within a source document direct the rendering program to insert information for a database or to insert descriptive text. The format for the inserted data is determined according to a base string for the particular feature(s) of the document being inserted. The resulting rendered document is stored on the web server for quick retrieval with little or no additional document processing.



主权项

专利度: 35 特征

度: 16

A method of maintaining a web page, comprising the computer-implemented steps: at regular intervals or when dynamic content changes, performing the following steps: retrieving a source document for said web page; locating a plurality of command strings within said source document, wherein each command string of said plurality of command strings includes a respective element type and at least one respective element parameter; retrieving a respective base string corresponding to said respective element type; modifying said respective base string

according to said at least one respective element parameter to obtain a respective rendered string; replacing said respective command string in said source document with said respective rendered string; after said retrieving, locating, modifying, and replacing steps, saving said source document as a current web page; whereby a server responding to a request for dynamic content does not need to render the dynamic content.

申请主权项 **专利度: 45 特征度: 12**

A method of ~~constructing a structured document, comprising: locating a~~ maintaining a web page, comprising the computer-implemented steps: at regular intervals or when dynamic content changes, performing the following steps: retrieving a source document for said web page; locating a plurality of command strings within ~~a~~ said source document, wherein ~~the~~ each command string ~~includes an~~ of said plurality of command strings includes a respective element type and at least one respective element parameter; retrieving a respective base string corresponding to ~~th~~ said respective element type; modifying ~~th~~ said respective base string according to ~~the~~ said at least one respective element parameter to obtain a respective rendered string; ~~and~~ replacing th said respective command string in ~~the~~ said source document with ~~th~~ said respective rendered string; after said retrieving, locating, modifying, and replacing steps, saving said source document as a current web page; whereby a server responding to a request for dynamic content does not need to render the dynamic content.

法律描述

ASSIGNMENT OF ASSIGNORS INTEREST

Conveyance: ASSIGNMENT OF ASSIGNORS INTEREST (SEE DOCUMENT FOR DETAILS).

Patent Assignor: INTERNATIONAL BUSINESS MACHINES CORPORATION (date: 20130930)

Correspondent: CPA GLOBAL LIMITED, LIBERATION HOUSE, CASTLE STREET, ST HELIER, JE1 1BL JERSEY

Patent Assignee: ALIBABA GROUP HOLDING LIMITED (address: 26TH FLOOR, TOWER 1, TIMES SQUARE, I MATHESON STREET, CAUSEWAY BAY, HONG KONG)

ASSIGNMENT OF ASSIGNORS INTEREST

Conveyance: ASSIGNMENT OF ASSIGNORS INTEREST (SEE DOCUMENT FOR DETAILS).

Patent Assignor: LAKHDIR, MANSOOR (date: 20011114)

Patent Assignor: MACIAS, MIKE V. (date: 20011107)

Patent Assignor: MASSAND, JAGDISH D. (date: 20011107)

Patent Assignor: MCMILLAN, MELINDA YUKI (date: 20011107)

Correspondent: IBM CORPORATION, CYNTHIA S. BYRD, INTELLECTUAL PROPERTY LAW, 11400 BURNET ROAD, AUSTIN, TX 78758

Patent Assignee: INTERNATIONAL BUSINESS MACHINES CORPORATION (address: NEW ORCHARD ROAD, ARMONK, NEW YORK, 10504)

引用/自引用/引用公司: 27/5/15

被引用/被自引用/被引用公司: 9/0/2

同族: 1

法律状态: Valid

Method, system and program product for providing an entitled price in an electronic transaction

授权号: [US7386474](#)

申请号: 09/752,330

优先权日: 2000/12/29 申请日: 2000/12/29 授权日: 2008/06/10

申请人: 国际商业机器公司

专利权人: 阿里巴巴

发明人: Mantena; Ravindra R. | Mattoon; Christina L. | Satpathy; Bijay | Wheeler-Cyran; Julie A.

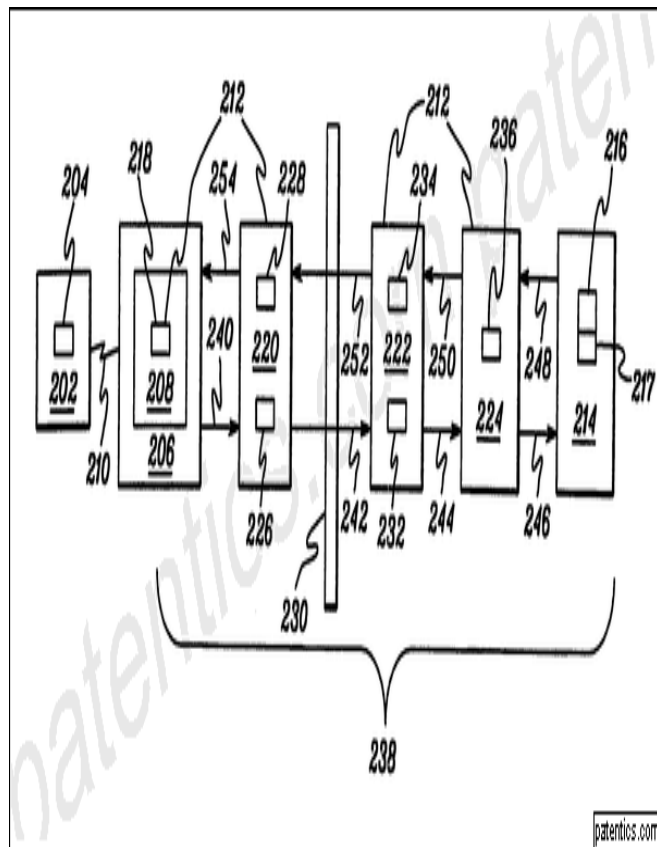
摘要

An entitled price in an electronic transaction is provided to a public electronic environment (e.g., a browser on a global computer network) from a private electronic environment (e.g., an ERP application on a private computer network) by electronically sending from a requestor a request for an entitled price via a public electronic environment; automatically routing the request to a private electronic environment; obtaining the entitled price within the private electronic environment while the requestor waits; and automatically returning the entitled price from the private electronic environment to the public electronic environment for providing to the requestor.

主权项 **专利度: 48 特征度: 24**

A method of providing an entitled price in an electronic transaction, comprising: electronically sending by a requestor a request for an entitled price based on a preexisting entitlement from a public electronic environment; automatically routing the request to a private electronic environment; obtaining the entitled price within the private electronic environment in real time while the requestor waits; and automatically returning the entitled price from the private electronic environment to the public electronic environment for providing to the requestor.

申请主权项 **专利度: 36 特征度: 10**



A method of providing an entitled price in an electronic transaction, comprising: electronically sending by a requestor a request for an entitled price based on a preexisting entitlement from a public electronic environment; automatically routing the request to a private electronic environment; obtaining the entitled price within the private electronic environment in real time while the requestor waits; and automatically returning the entitled price from the private electronic environment to the public electronic environment for providing to the requestor.

法律描述

ASSIGNMENT OF ASSIGNORS INTEREST

Conveyance: ASSIGNMENT OF ASSIGNORS INTEREST (SEE DOCUMENT FOR DETAILS).

Patent Assignor: INTERNATIONAL BUSINESS MACHINES CORPORATION (date: 20130930)

Correspondent: CPA GLOBAL LIMITED, LIBERATION HOUSE, CASTLE STREET, ST HELIER, JE1 1BL JERSEY

Patent Assignee: ALIBABA GROUP HOLDING LIMITED (address: 26TH FLOOR, TOWER 1, TIMES SQUARE, I MATHESON STREET, CAUSEWAY BAY, HONG KONG)

ASSIGNMENT OF ASSIGNORS INTEREST

Conveyance: ASSIGNMENT OF ASSIGNORS INTEREST (SEE DOCUMENT FOR DETAILS).

Patent Assignor: MANTENA, RAVINDRA R. (date: 20010323)

Patent Assignor: MATTOON, CHRISTINA L. (date: 20010330)

Patent Assignor: SATPATHY, BIJAY (date: 20010324)

Patent Assignor: WHEELER-CYRAN, JULIE E. (date: 20010330)

Correspondent: HESLIN ROTHENBERG FARLEY & MESITI P.C., WAYNE F. REINKE, ESQ., 5 COLUMBIA CIRCLE, ALBANY, NY 12203

Patent Assignee: INTERNATIONAL BUSINESS MACHINES CORPORATION (address: A CORPORATION OF NEW YORK, NEW ORCHARD ROAD, ARMONK, NEW YORK, 10504)

引用/自引用/引用公司: 11/5/6

被引用/被自引用/被引用公司: 1/1/1

同族: 1

法律状态: Valid

Single submission buttons

授权号: [US7310783](#)

申请号: 10/842,309

优先权日: 2004/05/10 申请日: 2004/05/10 授权日: 2007/12/18

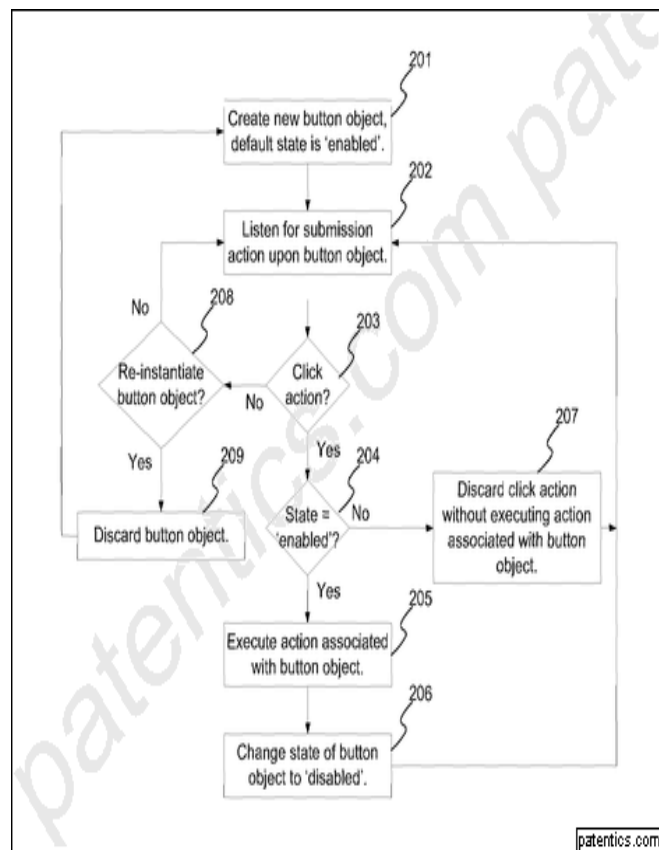
申请人: 国际商业机器公司

专利权人: 阿里巴巴

发明人: Pagan; William G.

摘要

A method and mechanism for enforcing a one-submission-only policy for a graphical button is provided. The method provides a button object defined to be enabled for only one submission action upon the button object. When a first submission action upon the button object is detected, the action associated with the button object is executed. When another submission action upon the button object is detected, the other submission action is discarded without executing the associated action. Subsequent submission actions are similarly ignored until the button object is re-instantiated to restore its functionality. In this manner, the one-submission-only behavior is embedded into the button object itself, without reliance on external mechanisms.



主权项

专利度: 6 特征度: 12

A computer readable medium encoded with a computer program for enforcing a one-click-only policy for a graphical button object that is displayable on a computer screen, the one-click-only policy preventing a user from inadvertently activating a pre-determined action associated with the graphical button object more than one time, the computer program comprising computer executable code for: displaying the graphical button object on a computer screen, the graphical button object having been previously instantiated from a button class, the button class embedding the one-click-only policy within the graphical button object so that a JavaScript external to the graphical button object is not required to enforce the one-click-only policy for the graphical object; responsive to receiving user input clicking on the graphical button object displayed on the computer screen for a first time, activating the pre-determined action associated with the graphical button object;

and responsive to receiving user input clicking on the graphical button object displayed on the computer screen for a second time subsequent to the first time, not activating the pre-defined action associated with the graphical button object in accordance the one-click only policy embedded in the graphical button object.

申请主权项 专利度: 13 特征度: 7

~~A method for enforcing a one-submission-only policy for a graphical button, comprising: (a) providing a button object, wherein the button object is defined to be enabled for only one submission action upon the button object; (b) detecting a first submission action upon the button object; (c) executing an~~ computer readable medium encoded with a computer program for enforcing a one-click-only policy for a graphical button object that is displayable on a computer screen, the one-click-only policy preventing a user from inadvertently activating a pre-determined action associated with the graphical button object more than one time, the computer program comprising computer executable code for: displaying the graphical button object on a computer screen, the graphical button object having been previously instantiated from a button class, the button class embedding the one-click-only policy within the graphical button object so that a JavaScript external to the graphical button object is not required to enforce the one-click-only policy for the graphical object; responsive to receiving user input clicking on the graphical button object displayed on the computer screen for a first time, activating the pre-determined action associated with the graphical button object; (d) detecting another submission action upon the button object; and (e) discarding the other submission action without executing the action associated with the ~~and responsive to receiving user input clicking on the graphical button object displayed on the computer screen for a second time subsequent to the first time, not activating the pre-defined action associated with the graphical button object in accordance the one-click only policy embedded in the graphical~~ button object.

法律描述

ASSIGNMENT OF ASSIGNORS INTEREST

Conveyance: ASSIGNMENT OF ASSIGNORS INTEREST (SEE DOCUMENT FOR DETAILS).

Patent Assignor: INTERNATIONAL BUSINESS MACHINES CORPORATION (date: 20130930)

Correspondent: CPA GLOBAL LIMITED, LIBERATION HOUSE, CASTLE STREET, ST HELIER, JE1 1BL JERSEY

Patent Assignee: ALIBABA GROUP HOLDING LIMITED (address: 26TH FLOOR, TOWER 1, TIMES SQUARE, I MATHESON STREET, CAUSEWAY BAY, HONG KONG)

ASSIGNMENT OF ASSIGNORS INTEREST

Conveyance: ASSIGNMENT OF ASSIGNORS INTEREST (SEE DOCUMENT FOR DETAILS).

Patent Assignor: PAGAN, WILLIAM G. (date: 20040509)

Correspondent: IBM CORPORATION, MICHELE FITZSIMMONS, IP LAW DEPARTMENT, 9CCA/002-2, 3039 CORNWALLIS ROAD, RESEARCH TRIANGLE PARK, NY 27709

Patent Assignee: INTERNATIONAL BUSINESS MACHINES CORPORATION (address: NEW ORCHARD ROAD, ARMONK, NEW YORK, 10504)

引用/自引用/引用公司: 20/4/15

被引用/被自引用/被引用公司: 5/1/4

同族: 1

法律状态:

Valid

Automatic sales promotion selection system and method

授权号: [US7155401](#)

申请号: 09/004,034

优先权日: 1994/12/23 申请日: 1998/01/07 授权日: 2006/12/26

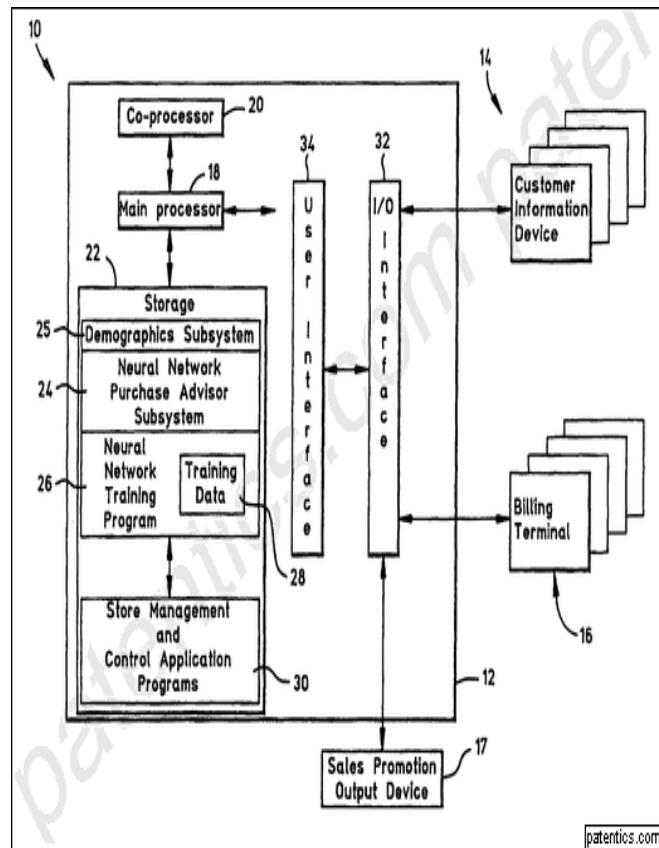
申请人: 国际商业机器公司

专利权人: 阿里巴巴

发明人: Cragun; Brian John | Kelsey; Todd Mark | Lund; Stephen Hollis

摘要

An automated sales promotion selection system uses neural networks to identify promising sales promotions based on recent customer purchases. The system includes a customer information device that receives customer data relating to customer purchases of items from an inventory of items, a central processing unit having a sales promotion neural network and a storage unit containing a plurality of item identifiers comprising potential customer purchases of additional items from the inventory, wherein the sales opportunity neural network responds to customer data received from the customer information device by determining if one or more of the item identifiers in the storage unit corresponds to an item likely to be purchased by one of the customers, and an output device that receives the item identifiers of the likely purchases determined by the sales promotion neural network and produces a sales promotion relating to at least one of the item identifiers.



主权项 **专利度: 21 特征度: 22**

An automated sales promotion selection system comprising: an input device that receives customer data relating to purchases of items by customers; a computer system including a central processing unit and a storage unit including a purchase advisor neural network and a plurality of item identifiers that identify items available for purchase, wherein the purchase advisor neural network responds to customer data received from the input device by determining if one or more of the item identifiers stored in the storage unit corresponds to an

item likely to be purchased by one of the customers and identifies a sales promotion relating to the item, and wherein the central processing unit selectively adapts the response of the purchase advisor neural network for future customers in response to customer data; and an output device that receives the item identifiers of the likely purchases determined by the purchase advisor neural network; wherein the storage unit further includes a customer demographics neural network that estimates buying characteristics of one or more customers most likely to be at a purchase location, and also produces item identifiers comprising the estimated item purchases of the estimated customers.

法律描述

ASSIGNMENT OF ASSIGNORS INTEREST

Conveyance: ASSIGNMENT OF ASSIGNORS INTEREST (SEE DOCUMENT FOR DETAILS).

Patent Assignor: INTERNATIONAL BUSINESS MACHINES CORPORATION (date: 20130930)

Correspondent: CPA GLOBAL LIMITED, LIBERATION HOUSE, CASTLE STREET, ST HELIER, JE1 1BL JERSEY

Patent Assignee: ALIBABA GROUP HOLDING LIMITED (address: 26TH FLOOR, TOWER 1, TIMES SQUARE, 1 MATHESON STREET, CAUSEWAY BAY, HONG KONG)

引用/自引用/引用公司: 18/2/14

被引用/被自引用/被引用公司: 39/0/8

同族: 2

法律状态: Valid

Scheduling for data warehouse ETL processing and data mining execution

授权号: [US7058615](#)

申请号: 10/422,675

优先权日: 2003/04/24 申请日: 2003/04/24 授权日: 2006/06/06

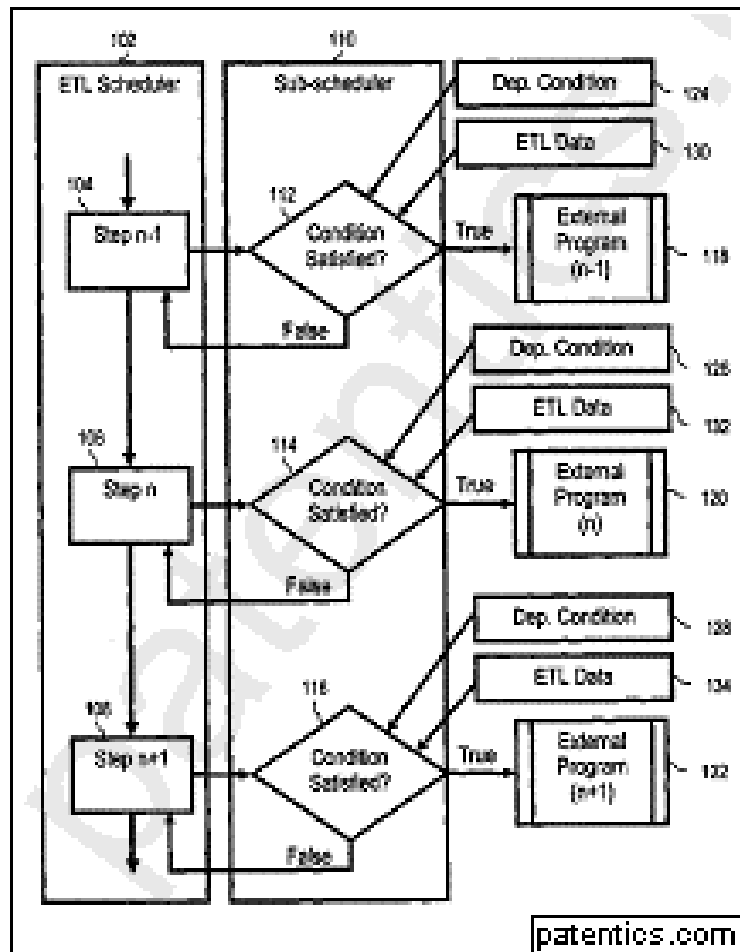
申请人: 国际商业机器公司

专利权人: 阿里巴巴

发明人: Yao; Albert Zhongxing

摘要

Providing flexibility in scheduling control for an extract, transfer, and load ("ETL") scheduler in a data warehouse system, including extracting from a computer memory of the data warehouse system a dependent condition for a scheduled ETL processing step of the ETL scheduler, extracting from computer memory related ETL data for the dependent condition, determining whether the ETL data satisfies the dependent condition, and executing the scheduled step if the ETL data satisfies the dependent condition. A sub-scheduler typically is implemented as an interface between an ETL scheduler and external programs without modification of the ETL scheduler. In typical embodiments, an ETL scheduler includes a multiplicity of scheduled ETL processing steps, and computer memory of a data warehouse system includes dependent conditions for at least one of the scheduled ETL processing steps and ETL data related to at least one dependent condition.



主权项 **专利度: 24 特征度: 10**

A method for providing flexibility in scheduling control for an extract, transfer, and load ("ETL") scheduler in a data warehouse system, the method comprising: extracting from a computer

memory of the data warehouse system a dependent condition for a scheduled ETL processing step of the ETL scheduler; extracting from computer memory related ETL data for the dependent condition; determining whether the ETL data satisfies the dependent condition; and executing the scheduled step if the ETL data satisfies the dependent condition.

申请主权项 专利度: 24 特征度: 10

A method for providing flexibility in scheduling control for an extract, transfer, and load ("ETL") scheduler in a data warehouse system, the method comprising: extracting from a computer memory of the data warehouse system a dependent condition for a scheduled ETL processing step of the ETL scheduler; extracting from computer memory related ETL data for the dependent condition; determining whether the ETL data satisfies the dependent condition; and executing the scheduled step if the ETL data satisfies the dependent condition.

法律描述

ASSIGNMENT OF ASSIGNORS INTEREST

Conveyance: ASSIGNMENT OF ASSIGNORS INTEREST (SEE DOCUMENT FOR DETAILS).

Patent Assignor: INTERNATIONAL BUSINESS MACHINES CORPORATION (date: 20130930)

Correspondent: CPA GLOBAL LIMITED, LIBERATION HOUSE, CASTLE STREET, ST HELIER, JE1 1BL JERSEY

Patent Assignee: ALIBABA GROUP HOLDING LIMITED (address: 26TH FLOOR, TOWER 1, TIMES SQUARE, I MATHESON STREET, CAUSEWAY BAY, HONG KONG)

ASSIGNMENT OF ASSIGNORS INTEREST

Conveyance: ASSIGNMENT OF ASSIGNORS INTEREST (SEE DOCUMENT FOR DETAILS).

Patent Assignor: YAO, ALBERT ZHONGXING (date: 20030423)

Correspondent: IBM CORPORATION, CYNTHIA S. BYRD, 11400 BURNET ROAD, AUSTIN, TX 78758

Patent Assignee: INTERNATIONAL BUSINESS MACHINES CORPORATION (address: NEW ORCHARD ROAD, ARMONK, NEW YORK, 10504)

引用/自引用/引用公司: 11/2/9

被引用/被自引用/被引用公司: 12/1/9

同族: 1

法律状态: Valid

Method of establishing a communication channel to intelligent support for ebusiness applications

授权号: [US7003090](#)

申请号: 10/138,435

优先权日: 2001/08/28 申请日: 2002/05/03 授权日: 2006/02/21

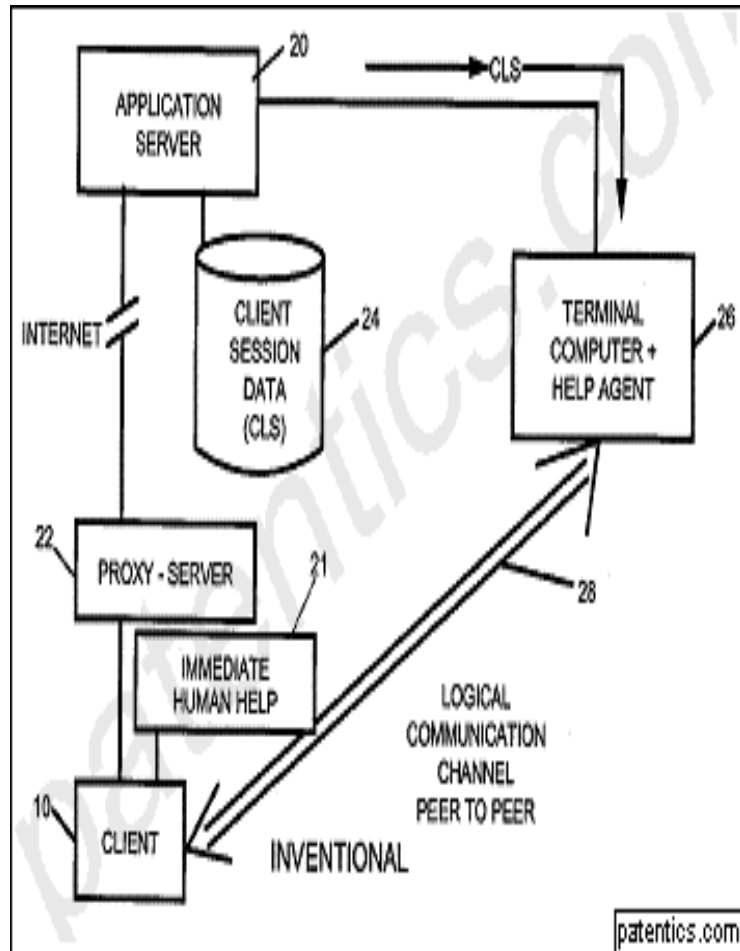
申请人: 国际商业机器公司

专利权人: 阿里巴巴

发明人: Kriechbaum; Werner | Pfeifer; Ronald | Stenzel; Gerhard

摘要

The present invention relates to method and system for providing online information in a networked user environment in which an end-user runs an application program and transmits data to an online server while running the application program. It is proposed to provide a request-button at the end-user application program dedicated to requesting information, and in particular help-information. When a help request is received at the communication server, a communication channel is promptly established between end-user and an agent. Information about the user activities sent in one or more transaction parts of an end-user intended business process and performed in the current application program session is read from the storage in the application server and is provided to the terminal of said agent in the help center. Advantageously, the same communication channel as used for performing the transactions is used for voice transmission for providing help or other information to the end-user.



主权项

专利度: 10 特征度: 7

A method for providing online information in a networked user environment in which an end-user runs an application program and transmits data to an online-server over an online connection while running the application program, the method being characterized by the steps of a.) providing a user input means for signaling a request to said server; b.) receiving a request from said end-user; c.) establishing a communication channel between said end-user and an agent according to the communication facilities associated with the end-user; and d.) providing history information about the user activities transmitted in one or more transaction parts of an intended business process in the current application program session to a terminal of said agent or to input means of a dedicated support program, wherein the data is adapted to be periodically transmitted to the server prior to the signaling of the request to the server.

申请主权项 专利度: 10 特征度: 20

A method for providing online information in a networked user environment in which an end-user runs an application program and transmits data to an online-server over an online connection while running the application program, the method being characterized by the steps of a.) providing a user input means for signaling a request to said server; b.) receiving a request from said end-user; c.) establishing a communication channel between said end-user and an agent according to the communication facilities associated with the end-user; e and d.) providing history information about the user activities transmitted in one or more transaction parts of an intended business process in the current application program session to a terminal of said agent or to input means of a dedicated support program, wherein the data is adapted to be periodically transmitted to the server prior to the signaling of the request to the server.

法律描述

ASSIGNMENT OF ASSIGNORS INTEREST

Conveyance: ASSIGNMENT OF ASSIGNORS INTEREST (SEE DOCUMENT FOR DETAILS).

Patent Assignor: INTERNATIONAL BUSINESS MACHINES CORPORATION (date: 20130930)

Correspondent: CPA GLOBAL LIMITED, LIBERATION HOUSE, CASTLE STREET, ST HELIER, JE1 1BL JERSEY

Patent Assignee: ALIBABA GROUP HOLDING LIMITED (address: 26TH FLOOR, TOWER 1, TIMES SQUARE, 1 MATHESON STREET, CAUSEWAY BAY, HONG KONG)

ASSIGNMENT OF ASSIGNORS INTEREST

Conveyance: ASSIGNMENT OF ASSIGNORS INTEREST (SEE DOCUMENT FOR DETAILS).

Patent Assignor: KRIECHBAUM, DR. WERNER (date: 20020425)

Patent Assignor: PFEIFER, RONALD (date: 20020425)

Patent Assignor: STENZEL, GERHARD (date: 20020425)

Correspondent: IBM CORPORATION, JEANINE S. RAY-YARLETTS, PO BOX 12195, RES. TRI. PARK, NC 27709

Patent Assignee: INTERNATIONAL BUSINESS MACHINES CORPORATION (address: NEW ORCHARD ROAD, ARMONK, NEW YORK, 10504)

引用/自引用/引用公司: 7/0/5

被引用/被自引用/被引用公司: 3/0/2

同族: 1

法律状态:

Valid

Method, system and program product for providing an electronic order confirmation in an electronic transaction

授权号: [US6999949](#)

申请号: 09/751,078

优先权日: 2000/12/29 申请日: 2000/12/29 授权日: 2006/02/14

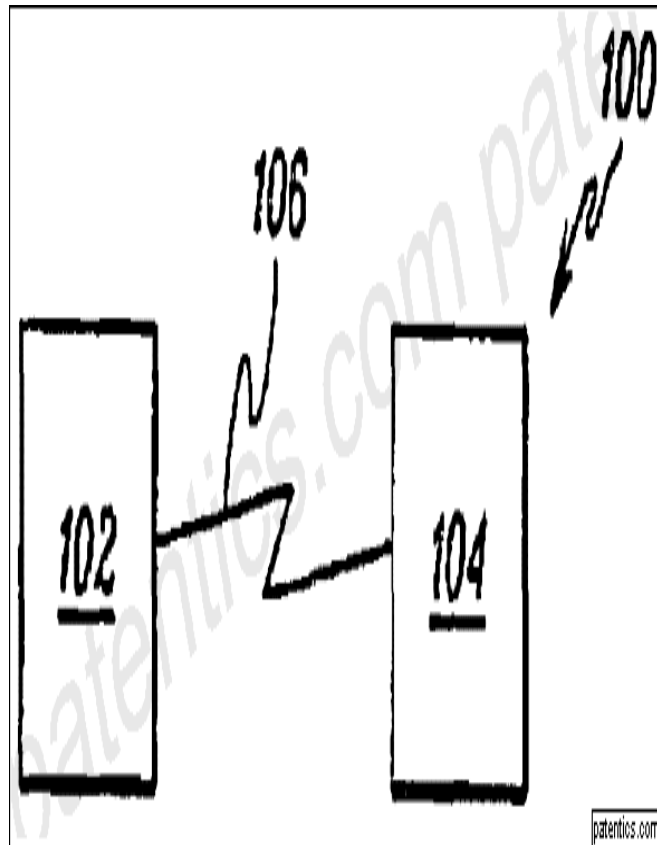
申请人: 国际商业机器公司

专利权人: 阿里巴巴

发明人: Mantena; Ravindra R. | Mattoon; Christina L. | Satpathy; Bijay | Wheeler-Cyran; Julie A.

摘要

An electronic order confirmation for a made-to-order or out-of-stock item in an electronic transaction is provided to a public electronic environment (e.g., a browser on a global computer network) from a private electronic environment (e.g., an ERP application on a private computer network) by electronically receiving a sales order in a private electronic environment from a purchaser in a public electronic environment; obtaining an electronic including an entitled price and an estimated date of delivery for the item, within the private electronic environment while the purchaser waits; and automatically returning an electronic order confirmation, including the entitled price and the estimated date of delivery, from the private electronic environment to the public electronic environment for providing to the purchaser.



主权项

专利度: 48 特征度: 14

A method of providing an electronic order confirmation in an electronic transaction, comprising: electronically receiving a sales order in a private electronic environment from a purchaser in a public electronic environment, wherein the public electronic environment comprises a front end application, wherein the private electronic environment comprises a back end Enterprise Resource Planning (ERP) application, and wherein the electronically receiving comprises electronically receiving by the back end ERP application the sales order from the front end application; obtaining an entitled price and an estimated date of delivery, within the private electronic environment while the purchaser waits, wherein the obtaining comprises obtaining

the entitled price and the estimated date of delivery from the back end ERP application, and wherein the entitled price comprises a price the purchaser is entitled to based on an entitlement; and automatically returning an electronic order confirmation from the private electronic environment to the public electronic environment for providing to the purchaser, wherein the automatically returning comprises automatically returning the electronic order confirmation from the back end ERP application to the front end application, and wherein the electronic order confirmation comprises the entitled price and the estimated date of delivery.

申请主权项 专利度: 45 特征度: 10

A method of providing an electronic order confirmation in an electronic transaction, comprising: electronically receiving a sales order in a private electronic environment from a purchaser in a public electronic environment; ~~obtaining an electronic order confirmation, compris~~, wherein the public electronic environment comprises a front end application, wherein the private electronic environment comprises a back end Enterprise Resource Planning (ERP) application, and wherein the electronically receiving comprises electronically receiving by the back end ERP application the sales order from the front end application; obtaining an entitled price and an estimated date of delivery, within the private electronic environment while the purchaser waits, wherein the obtaining comprises obtaining the entitled price and the estimated date of delivery from the back end ERP application, and wherein the entitled price comprises a price the purchaser is entitled to based on an entitlement; and automatically returning ~~the an~~ electronic order confirmation from the private electronic environment to the public electronic environment for providing to the purchaser, wherein the automatically returning comprises automatically returning the electronic order confirmation from the back end ERP application to the front end application, and wherein the electronic order confirmation comprises the entitled price and the estimated date of delivery.

法律描述

ASSIGNMENT OF ASSIGNORS INTEREST

Conveyance: ASSIGNMENT OF ASSIGNORS INTEREST (SEE DOCUMENT FOR DETAILS).

Patent Assignor: INTERNATIONAL BUSINESS MACHINES CORPORATION (date: 20130930)

Correspondent: CPA GLOBAL LIMITED, LIBERATION HOUSE, CASTLE STREET, ST HELIER, JE1 1BL JERSEY

Patent Assignee: ALIBABA GROUP HOLDING LIMITED (address: 26TH FLOOR, TOWER 1, TIMES SQUARE, 1 MATHESON STREET, CAUSEWAY BAY, HONG KONG)

ASSIGNMENT OF ASSIGNORS INTEREST

Conveyance: ASSIGNMENT OF ASSIGNORS INTEREST (SEE DOCUMENT FOR DETAILS).

Patent Assignor: MANTENA, RAVINDRA R. (date: 20010323)

Patent Assignor: MATTOON, CHRISTINA L. (date: 20010330)

Patent Assignor: SATPATHY, BIJAY (date: 20010324)

Patent Assignor: WHEELER-CYRAN, JULIE E. (date: 20010330)

Correspondent: INTERNATIONAL BUSINESS MACHINES CORP., WAYNE F. REINKE, (A CORPORATION OF NEW YORK), NEW ORCHARD ROAD, ARMONK, NEW YORK 10504

Patent Assignee: INTERNATIONAL BUSINESS MACHINES CORPORATION A CORPORATION OF NEW YORK (address: NEW ORCHARD ROAD, ARMONK, NEW YORK, 10504)

引用/自引用/引用公司: 12/5/6

被引用/被自引用/被引用公司: 9/2/2

同族: 1

法律状态: Valid

Automatic sales promotion selection system and method

授权号: [US6622125](#)

申请号: 09/707,514

优先权日: 1994/12/23 申请日: 2000/11/07 授权日: 2003/09/16

申请人: 国际商业机器公司

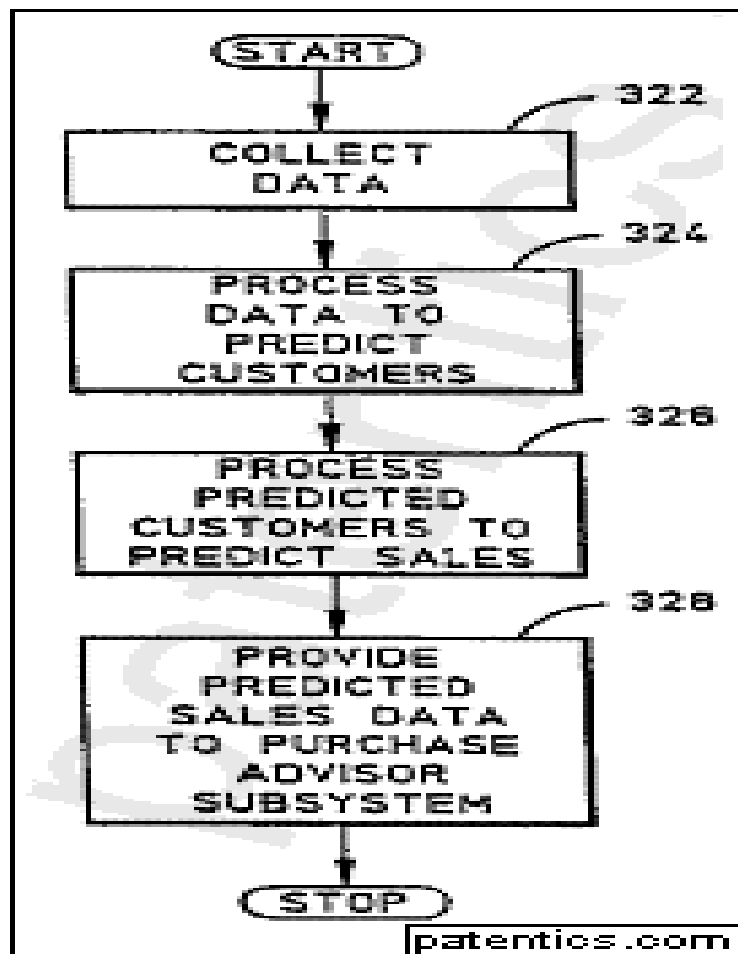
专利权人: 阿里巴巴

发明人: Cragun; Brian John|Kelsey; Todd Mark|Lund; Stephen Hollis

摘要

An automated sales promotion selection system uses neural networks to identify promising sales promotions based on recent customer purchases. The system includes a customer information device that receives customer data relating to customer purchases of items from an inventory of items, a central processing unit having a sales promotion neural network and a storage unit containing a plurality of item identifiers comprising potential customer purchases of additional items from the inventory, wherein the sales opportunity neural network responds to customer data received from the customer information device by determining if one or more of the item identifiers in the storage unit corresponds to an item likely to be purchased by one of the customers, and an output device that receives the

item identifiers of the likely purchases determined by the sales promotion neural network and produces a sales promotion relating to at least one of the item identifiers.



主权项

专利度: 12 特征度: 12

An automated sales promotion selection system comprising: an input device that receives prediction data; a computer system including a central processing unit and a storage unit including a customer demographics neural network that responds to the prediction data by

predicting at least one hypothetical customer likely to be at a purchase location and estimating the buying characteristics of the hypothetical customer, the central processing unit configured to identify a sales promotion based upon the estimated buying characteristics; and an output device that receives the sales promotion.

法律描述

ASSIGNMENT OF ASSIGNORS INTEREST

Conveyance: ASSIGNMENT OF ASSIGNORS INTEREST (SEE DOCUMENT FOR DETAILS).

Patent Assignor: INTERNATIONAL BUSINESS MACHINES CORPORATION (date: 20130930)

Correspondent: CPA GLOBAL LIMITED, LIBERATION HOUSE, CASTLE STREET, ST HELIER, JE1 1BL JERSEY

Patent Assignee: ALIBABA GROUP HOLDING LIMITED (address: 26TH FLOOR, TOWER 1, TIMES SQUARE, 1 MATHESON STREET, CAUSEWAY BAY, HONG KONG)

引用/自引用/引用公司: 28/3/19

被引用/被自引用/被引用公司: 22/2/10

同族: 2

法律状态: Valid

Method, apparatus and program storage device for a client and adaptive synchronization and transformation server

授权号: [US6477543](#)

申请号: 09/178,100

优先权日: 1998/10/23 申请日: 1998/10/23 授权日: 2002/11/05

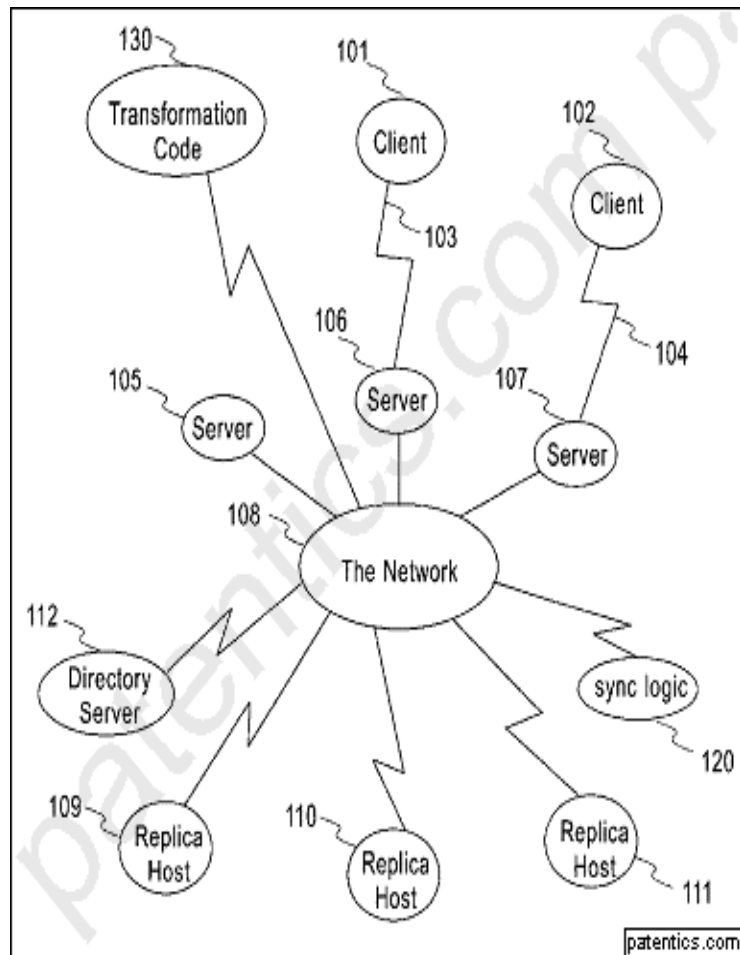
申请人: 国际商业机器公司

专利权人: 阿里巴巴

发明人: Huang; Yun-Wu|Yu; Philip Shi-lung

摘要

A sync proxy or sync server logic, process and apparatus employing sync logic and/or transformation codes distributed in the network to increase the scalability and improve the manageability of synchronization between a client such as: an Internet appliance; a handheld or palmtop device; a smart phone or intelligent pager; and their remote replica sources. An example of an adaptive sync server for synchronizing data between a client and a remote host replica, which stores a replica of data on the client includes sync acceptor logic for identifying a replica host and a sync logic which is application specific to a data type associated with the client and the remote host; wherein the sync logic can be located anywhere on a network remote to the sync server and the remote host, in response to a sync request; and sync handler logic, coupled to the sync acceptor logic, for retrieving remote sync logic from the network, connecting to the remote host, and synchronizing the data between the client and the remote host using the retrieved sync logic. The sync request could explicitly (or by default) identify the replica host and the sync logic or could include an address of a directory service storing information for identifying the replica host and the sync logic. The sync request could also or alternatively include information for



Securing Web server source documents and executables

授权号: [US6393420](#)

申请号: 09/325,288

申请日: 1999/06/03

授权日: 2002/05/21

申请人: 国际商业机器公司

专利权人: 阿里巴巴

发明人: Peters; Mark E.

摘要

A method, system, and computer readable code for validating that a document or executable to be served from a server is the same original document or executable placed on the server by the legitimate author or owner. Digital signatures are stored with each file available for serving from, or executing from, a server. When a file is requested by a user, the contents of the requested file are validated (i.e. authenticated) using this digital signature. If the validation does not succeed, the file is not served to the user--instead, the user is told that the requested file was not found. A number of optimizations are defined, including caching validated files and/or caching computed digests.

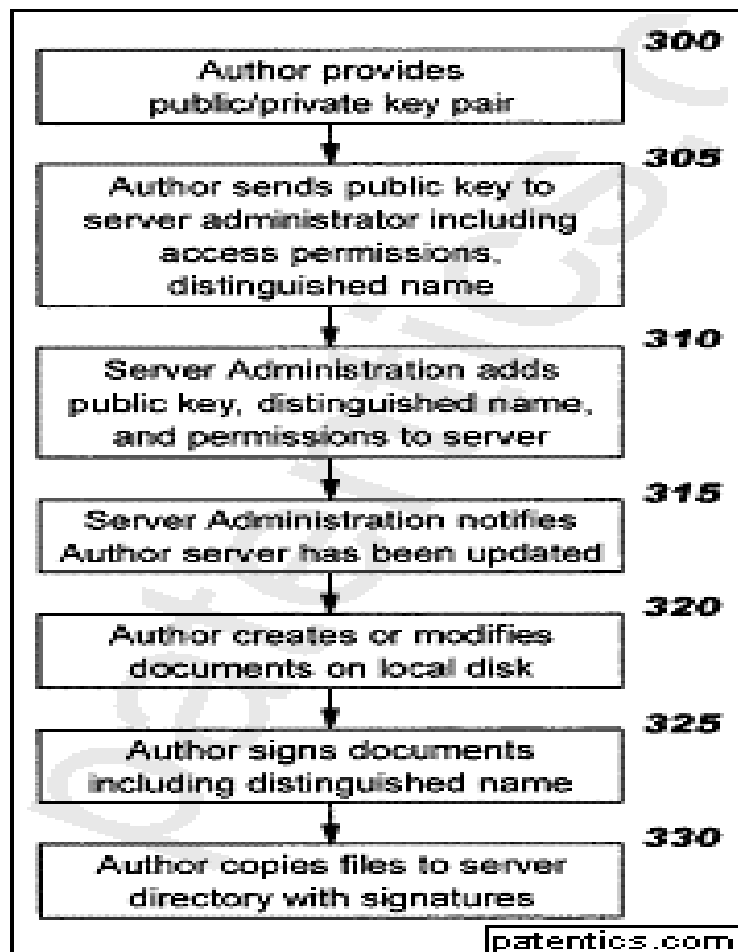
主权项

专利度: 31 特征

度: 9

A system in a computing environment for preventing information from being published over a network in said computing environment after an unauthorized alteration of said information, comprising:

one or more files stored on a storage medium accessible to a first computer in said computing environment;



a digital signature for each of said one or more files, each of said digital signatures being stored in a location accessible to said first computer;

means for receiving a request for a selected one of said files from a user of a second computer in said computing environment;

means for authenticating, responsive to said means for receiving, that said requested file was created by an authorized author; and

means for publishing said requested file to said user only when said means for authenticating has a successful result.

法律描述

ASSIGNMENT OF ASSIGNORS INTEREST

Conveyance: ASSIGNMENT OF ASSIGNORS INTEREST (SEE DOCUMENT FOR DETAILS).

Patent Assignor: INTERNATIONAL BUSINESS MACHINES CORPORATION (date: 20130930)

Correspondent: CPA GLOBAL LIMITED, LIBERATION HOUSE, CASTLE STREET, ST HELIER, JE1 1BL JERSEY

Patent Assignee: ALIBABA GROUP HOLDING LIMITED (address: 26TH FLOOR, TOWER 1, TIMES SQUARE, I MATHESON STREET, CAUSEWAY BAY, HONG KONG)

ASSIGNMENT OF ASSIGNORS INTEREST

Conveyance: CORRECTIVE ASSIGNMENT TO CORRECT THE ASSIGNEE NAME "IBM CORPORATION" PREVIOUSLY RECORDED ON REEL 010012 FRAME 0967. ASSIGNOR(S) HEREBY CONFIRMS THE CORRECT ASSIGNEE NAME "INTERNATIONAL BUSINESS MACHINES CORPORATION".

Patent Assignor: PETERS, MARK E. (date: 19990521)

Correspondent: IBM CORPORATION, 3039 CORNWALLIS RD., DEPT. TB1/B503, PO BOX 12195, DURHAM, NC 27709

Patent Assignee: INTERNATIONAL BUSINESS MACHINES CORPORATION (address: NEW ORCHARD ROAD, ARMONK, NEW YORK, 10504)

ASSIGNMENT OF ASSIGNORS INTEREST

Conveyance: ASSIGNMENT OF ASSIGNORS INTEREST (SEE DOCUMENT FOR DETAILS).

Patent Assignor: PETERS, MARK E. (date: 19990521)

Correspondent: IBM CORPORATION, GREGORY M. DOUDNIKOFF, INTELLECTUAL PROPERTY LAW, T81/062, 3039 CORNWALLIS ROAD, P.O. BOX 12195, RESEARCH TRIANGLE PARK, NC 27709

Patent Assignee: IBM CORPORATION (address: NEW ORCHARD ROAD, ARMONK, NEW YORK, 10504)

引用/自引用/引用公司: 10/0/9

被引用/被自引用/被引用公司: 66/0/16

法律状态: Valid

Royalty collection method and system for use of copyrighted digital materials on the internet

授权号: US6282653

申请号: 09/080,030

优先权日: 1998/05/15 申请日: 1998/05/15 授权日: 2001/08/28

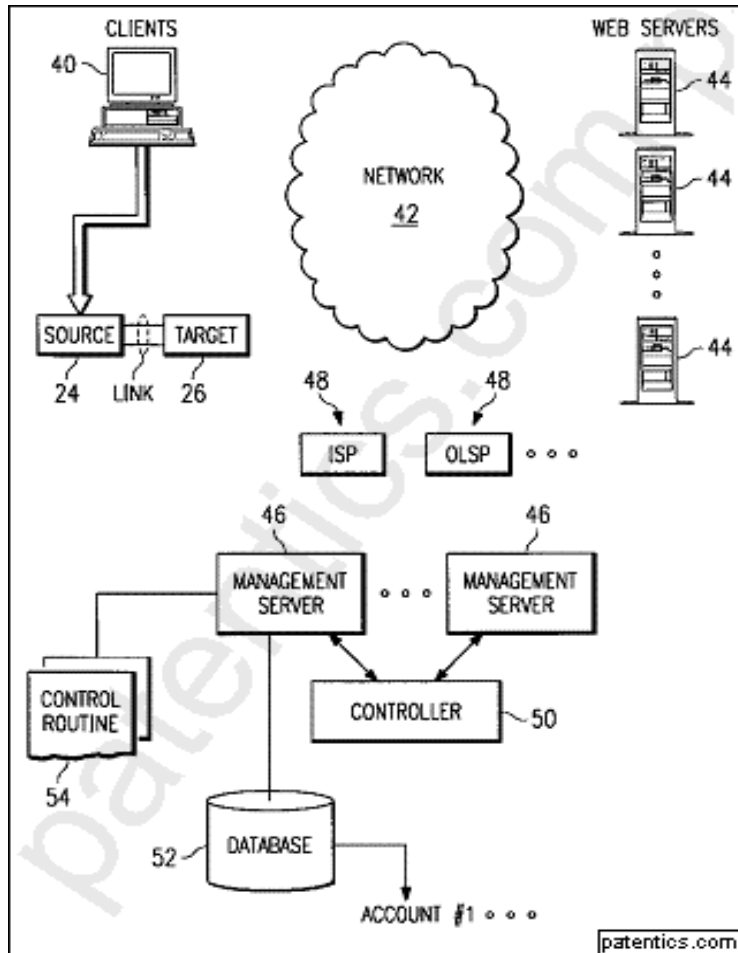
申请人: 国际商业机器公司

专利权人: 阿里巴巴

发明人: Berstis; Viktors | Himmel; Maria Azua

摘要

A method, system and computer program product to facilitate royalty collection with respect to online distribution of electronically published material over a computer network. In one embodiment, a method for managing use of a digital file (that includes content subject to copyright protection on behalf of some content provider) begins by establishing a count of a number of permitted copies of the digital file. In response to a given protocol, a copy of the digital file is then selectively transferred from a source to a target. Thus, for example, the source and target may be located on the same computer with the source being a disk storage device and the target being a rendering device (e.g., a printer, a display, a sound card or the like). The method logs an indication each time the digital file is transferred from the source to a target rendering device, and the count is decremented upon each transfer. When the count reaches a given value (e.g., zero), the file is destroyed or otherwise prevented from being transferred from the source device. The indications logged are transferred to a management server to facilitate payment of royalties to the content provider.



主权项

专利度: 46 特征度: 26

A method for managing use of a digital file, comprising the steps of:

establishing a secure link between a pair of devices, each of the devices being certified to operate under a given security protocol;

establishing a usage scheme defining one or more conditions under which the digital file may be transferred between the pair of devices; and

transferring one or more copies of the digital file over the secure link between the pair of devices in accordance with the established usage scheme;

wherein the digital file includes content subject to copyright protection.

法律描述

ASSIGNMENT OF ASSIGNORS INTEREST

Conveyance: ASSIGNMENT OF ASSIGNORS INTEREST (SEE DOCUMENT FOR DETAILS).

Patent Assignor: INTERNATIONAL BUSINESS MACHINES CORPORATION (date: 20130930)

Correspondent: CPA GLOBAL LIMITED, LIBERATION HOUSE, CASTLE STREET, ST HELIER, JE1 1BL JERSEY

Patent Assignee: ALIBABA GROUP HOLDING LIMITED (address: 26TH FLOOR, TOWER 1, TIMES SQUARE, I MATHESON STREET, CAUSEWAY BAY, HONG KONG)

ASSIGNMENT OF ASSIGNORS INTEREST

Conveyance: ASSIGNMENT OF ASSIGNORS INTEREST (SEE DOCUMENT FOR DETAILS).

Patent Assignor: BERSTIS, VIKTORS (date: 19980515)

Patent Assignor: HIMMEL, MARIA AZUA (date: 19980515)

Correspondent: IBM CORPORATION, JEFFREY S. LABAW, INTEL PROP LAW SECT. INTERNAL ZIP 4054, 11400 BURNET ROAD, AUSTIN, TEXAS 78758

Patent Assignee: INTERNATIONAL BUSINESS MACHINES CORPORATION (address: OLD ORCHARD ROAD, ARMONK, NEW YORK, 10504)

引用/自引用/引用公司: 10/0/8

被引用/被自引用/被引用公司: 96/3/41

同族: 21

法律状态: Valid

Method and system for a network-based document review tool utilizing comment classification

授权号: [US6243722](#)

申请号: 08/976,882

优先权日: 1997/11/24 申请日: 1997/11/24 授权日: 2001/06/05

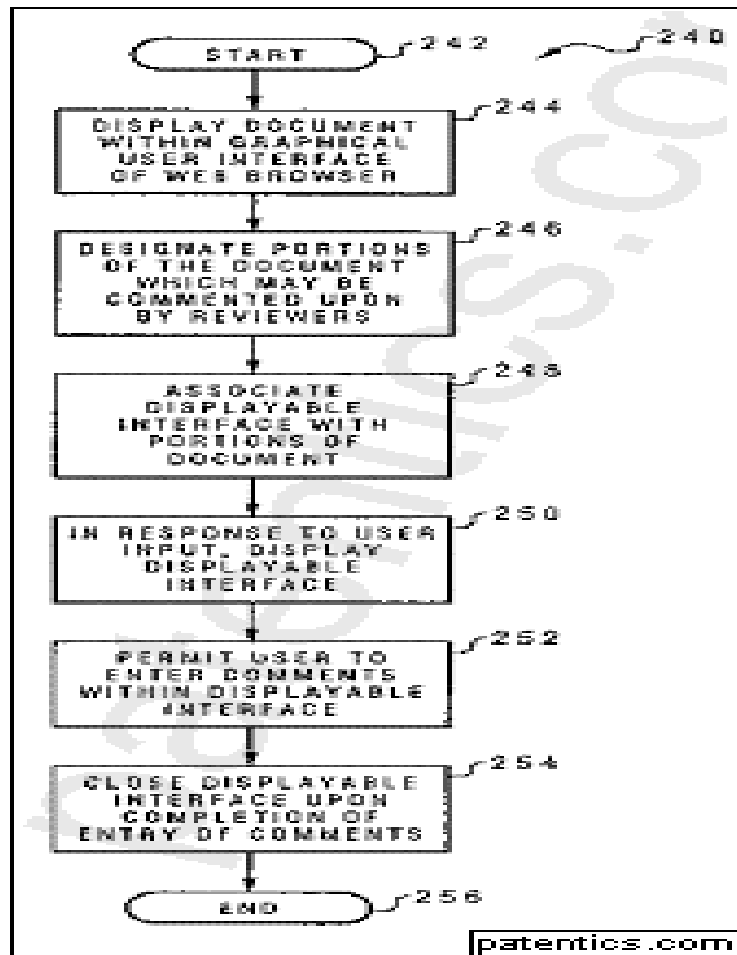
申请人: 国际商业机器公司

专利权人: 阿里巴巴

发明人: Day; Don Rutledge | Romero; Carl William

摘要

A method and system in a computer network for assisting users in collectively creating documents with minimal document intrusiveness via the computer network. Initially, a document is displayed in a graphic interface of a computer in a computer network, such that the document may also be displayed at any one of a number of computers within the computer network. Next, portions of the document are designated which may be commented upon by users. These portions of the document are automatically associated with displayable interface wherein users may enter comments pertaining to the document. The displayable interface is then displayed within the graphic interface, in response to user input. A user is then permitted to enter comments pertaining to the document within the displayable interface, such that the comments may be separately stored, subsequently retrieved and utilized in the creation of the document without cluttering. The displayable interface is then automatically closed upon completion of an entry of comments pertaining to the document within the displayable interface.



主权项

专利度: 21 特征度: 30

A method in a collaborative data processing environment for associating user comments with particular portions of a shared document, said method comprising:

receiving at a client a document from a server, wherein said document includes a first portion designated for review, an undesignated second portion, and a selectable object associated only with said first portion;

simultaneously displaying said first portion, said second portion, and said selectable object in a user interface of said client;

in response to a selection of said selectable object, displaying in said user interface a pop-up window that includes an input field for receiving a user comment and that includes two or more objects for specifying a class of said user comment; and

in response to a determination that a user has finished entering said user comment in said input field, removing said input field from said user interface and automatically preserving said user comment apart from said document with an identification link associating said user comment only with said first portion.

法律描述

ASSIGNMENT OF ASSIGNORS INTEREST

Conveyance: ASSIGNMENT OF ASSIGNORS INTEREST (SEE DOCUMENT FOR DETAILS).

Patent Assignor: INTERNATIONAL BUSINESS MACHINES CORPORATION (date: 20130930)

Correspondent: CPA GLOBAL LIMITED, LIBERATION HOUSE, CASTLE STREET, ST HELIER, JE1 1BL JERSEY

Patent Assignee: ALIBABA GROUP HOLDING LIMITED (address: 26TH FLOOR, TOWER 1, TIMES SQUARE, I MATHESON STREET, CAUSEWAY BAY, HONG KONG)

ASSIGNMENT OF ASSIGNORS INTEREST

Conveyance: ASSIGNMENT OF ASSIGNORS INTEREST (SEE DOCUMENT FOR DETAILS).

Patent Assignor: DAY, DON RUTLEDGE (date: 19971121)

Patent Assignor: ROMERO, CARL WILLIAM (date: 19971121)

Correspondent: IBM CORPORATION, RICHARD A. HENKLER, ESQ., IP LAW, INTERNAL ZIP 4054, 11400 BURNET ROAD, AUSTIN, TX 78758

Patent Assignee: INTERNATIONAL BUSINESS MACHINES CORPORATION (address: OLD ORCHARD ROAD, ARMONK, NEW YORK, 10504)

引用/自引用/引用公司: 16/4/10

被引用/被自引用/被引用公司: 61/5/25

同族: 15

法律状态: Valid

Distributed file system web server user authentication with cookies

授权号: [US5875296](#)

申请号: 08/790,041

优先权日: 1997/01/28 申请日: 1997/01/28 授权日: 1999/02/23

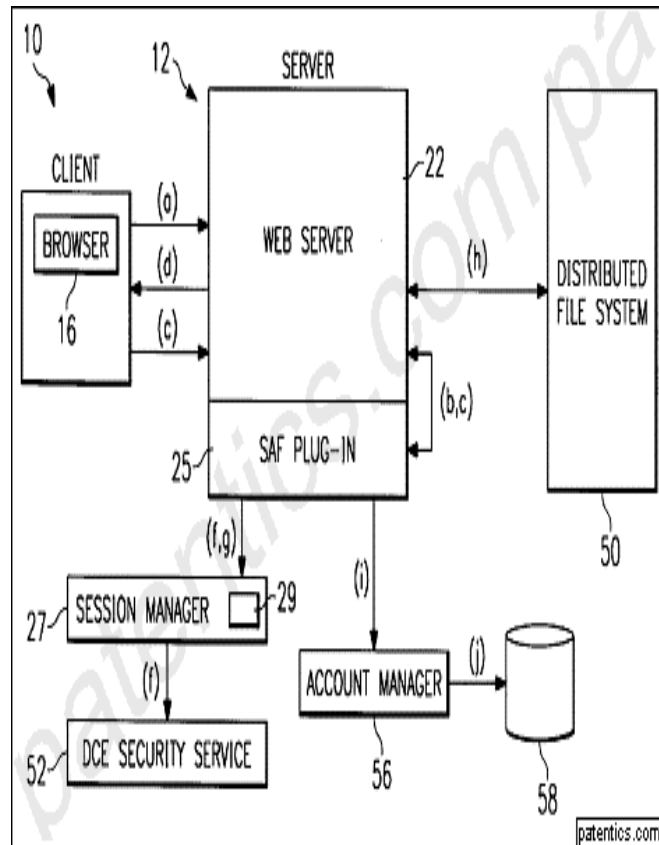
申请人: 国际商业机器公司

专利权人: 阿里巴巴

发明人: Shi; Shaw-Ben|Ault; Michael Bradford|Plassmann; Ernst Robert|Rich; Bruce Arland|Rosiles; Mickella Ann|Shrader; Theodore Jack London

摘要

A method of authenticating a Web client to a Web server connectable to a distributed file system of a distributed computing environment. The distributed computing environment includes a security service for returning a credential to a user authenticated to access the distributed file system. In response to receipt by the Web server of a user id and password from the Web client, a login protocol is executed with the security service. If the user can be authenticated, a credential is stored in a database of credentials associated with authenticated users. The Web server then returns to the Web client a persistent client state object having a unique identifier therein. This object, sometimes referred to as a cookie, is then used to enable the Web client to browse Web documents in the distributed file system. In particular, when the Web client desires to make a subsequent request to the distributed file system, the persistent client state object including the identifier is used in lieu of the user's id and password, which makes the session much more secure. In this operation, the cookie identifier is used as a pointer into the credential storage table, and the credential is then retrieved and used to facilitate multiple file accesses from the distributed file system. At the same time, the Web client may obtain access to Web server (as opposed to distributed file system) documents via conventional user id and password in an HTTP request.



主权项

专利度: 20 特征度: 28

A method of authenticating a client to a Web server connectable to a distributed file system of a distributed computing environment, the distributed computing environment including a security service for returning a credential to a user authenticated to access the distributed file system, comprising the steps of:

- (a) responsive to receipt by the Web server of a user id and password from the client, executing a login protocol with the security service and storing a credential resulting therefrom;
- (b) returning to the client a persistent client state object having an identifier therein; and
- (c) having the client use the persistent client state object including the identifier in lieu of a user id and password to obtain subsequent access to Web documents in the distributed file system.

法律描述

ASSIGNMENT OF ASSIGNORS INTEREST

Conveyance: ASSIGNMENT OF ASSIGNORS INTEREST (SEE DOCUMENT FOR DETAILS).

Patent Assignor: INTERNATIONAL BUSINESS MACHINES CORPORATION (date: 20130930)

Correspondent: CPA GLOBAL LIMITED, LIBERATION HOUSE, CASTLE STREET, ST HELIER, JE1 1BL JERSEY

Patent Assignee: ALIBABA GROUP HOLDING LIMITED (address: 26TH FLOOR, TOWER 1, TIMES SQUARE, I MATHESON STREET, CAUSEWAY BAY, HONG KONG)

ASSIGNMENT OF ASSIGNORS INTEREST

Conveyance: ASSIGNMENT OF ASSIGNORS INTEREST (SEE DOCUMENT FOR DETAILS).

Patent Assignor: SHRADER, THEODORE JACK LONDON (date: 19970122)

Patent Assignor: AULT, MICHAEL BRADFORD (date: 19970122)

Patent Assignor: PLASSMANN, ERNST ROBERT (date: 19970122)

Patent Assignor: RICH, BRUCE ARLAND (date: 19970122)

Patent Assignor: ROSILES, MICKELLA ANN (date: 19970122)

Patent Assignor: SHI, SHAW-BEN (date: 19970122)

Correspondent: IBM CORPORATION, JEFFREY S. LABAW, 11400 BURNET ROAD, INTERNAL ZIP 4054, AUSTIN, TX 78758

Patent Assignee: INTERNATIONAL BUSINESS MACHINES CORPORATION (address: OLD ORCHARD ROAD, ARMONK, NEW YORK, 10504)

引用/自引用/引用公司: 11/0/7

被引用/被自引用/被引用公司: 478/77/139

同族: 2

法律状态: Valid

Automatic sales promotion selection system and method

授权号: [US5774868](#)

申请号: 08/363,053

优先权日: 1994/12/23 申请日: 1994/12/23 授权日: 1998/06/30

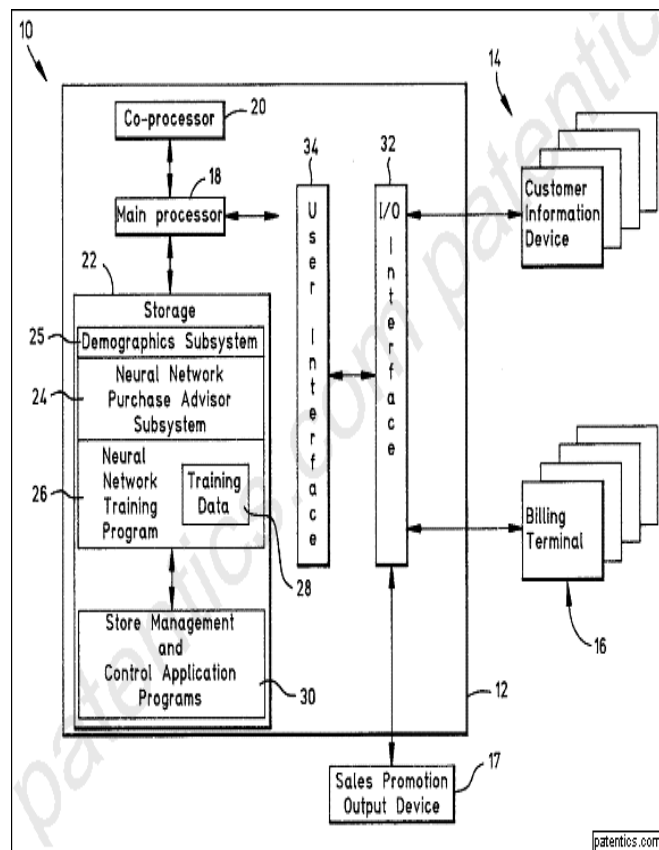
申请人: 国际商业机器公司

专利权人: 阿里巴巴

发明人: Cragun; Brian John | Kelsey; Todd Mark | Lund; Stephen Hollis

摘要

An automated sales promotion selection system uses neural networks to identify promising sales promotions based on recent customer purchases. The system includes a customer information device that receives customer data relating to customer purchases of items from an inventory of items, a central processing unit having a sales promotion neural network and a storage unit containing a plurality of item identifiers comprising potential customer purchases of additional items from the inventory, wherein the sales opportunity neural network responds to customer data received from the customer information device by determining if one or more of the item identifiers in the storage unit corresponds to an item likely to be purchased by one of the customers, and an output device that receives the item identifiers of the likely purchases determined by the sales promotion neural network and produces a sales promotion relating to at least one of the item identifiers.



主权项 **专利度: 13 特征度: 10**

An automated sales promotion selection system comprising:

a customer information device that receives customer data relating to purchases of items by customers;

a computer system including a central processing unit and a storage unit containing a purchase advisor neural network and a plurality of item numbers that identify items available for purchase, wherein the purchase advisor neural network responds to customer data received from the customer information device and to current purchase data comprising item numbers of a current purchase of a customer by determining if one or more of the item numbers stored in the storage unit corresponds to an item likely to be purchased by the customer but not present in the current purchase data and identifies a sales promotion relating to the item;

an output device that receives the item numbers of the likely purchases determined by the purchase advisor neural network and produces the identified sales promotion; and

a customer demographics neural network that estimates buying characteristics of one or more customers most likely to be at a purchase location, and also produces item numbers comprising the estimated item purchases of the estimated customers.

法律描述

ASSIGNMENT OF ASSIGNORS INTEREST

Conveyance: ASSIGNMENT OF ASSIGNORS INTEREST (SEE DOCUMENT FOR DETAILS).

Patent Assignor: INTERNATIONAL BUSINESS MACHINES CORPORATION (date: 20130930)

Correspondent: CPA GLOBAL LIMITED, LIBERATION HOUSE, CASTLE STREET, ST HELIER, JE1 1BL JERSEY

Patent Assignee: ALIBABA GROUP HOLDING LIMITED (address: 26TH FLOOR, TOWER 1, TIMES SQUARE, 1 MATHESON STREET, CAUSEWAY BAY, HONG KONG)

ASSIGNMENT OF ASSIGNORS INTEREST

Conveyance: ASSIGNMENT OF ASSIGNORS INTEREST (SEE DOCUMENT FOR DETAILS).

Patent Assignor: CRAGUN, BRIAN JOHN (date: 19941212)

Patent Assignor: KELSEY, TODD MARK (date: 19941212)

Patent Assignor: LUND, STEPHEN HOLLIS (date: 19941215)

Correspondent: TERRANCE A. MEADOR, BAKER, MAXHAM, JESTER & MEADOR, 750 "B" STREET, SUITE 2770, SAN DIEGO, CALIFORNIA 92101

Patent Assignee: INTERNATIONAL BUSINESS MACHINES CORPORATION (address: ARMONK, NEW YORK 10504)

引用/自引用/引用公司: 14/1/11

被引用/被自引用/被引用公司: 349/17/90

同族: 2

法律状态: Valid

主权项修订统计

总计 22 篇;

无对比 8 篇;

对比 14 篇;

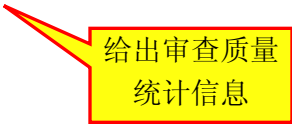
主权项被修订 13 篇;

主权项被插入 74 处;

主权项被删除 48 处;

主权项保留 104 处;

主权项没有修订 1 篇



给出审查质量
统计信息